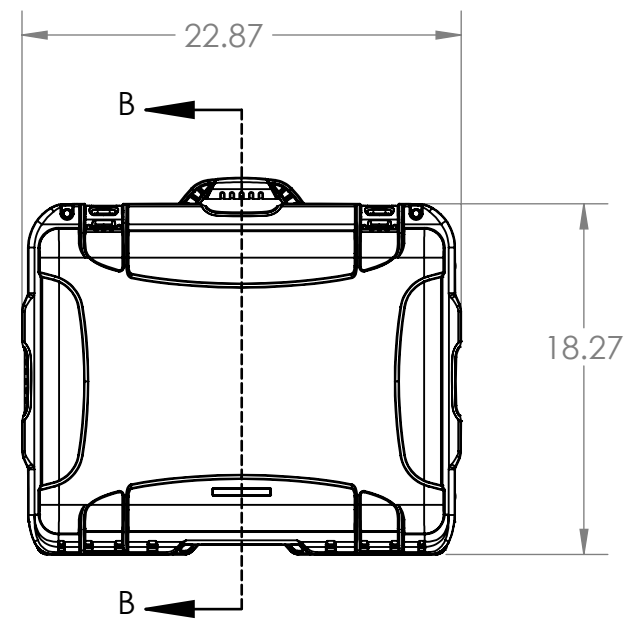
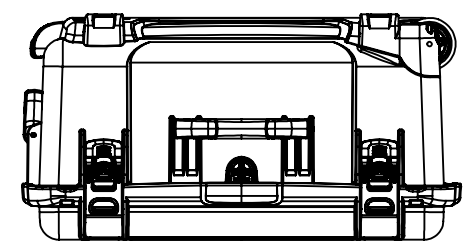
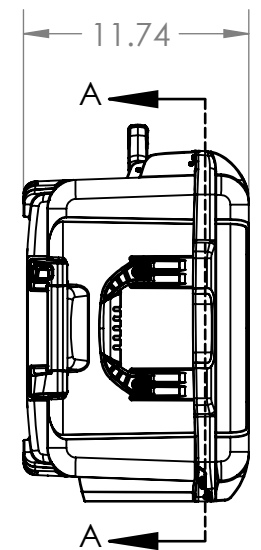
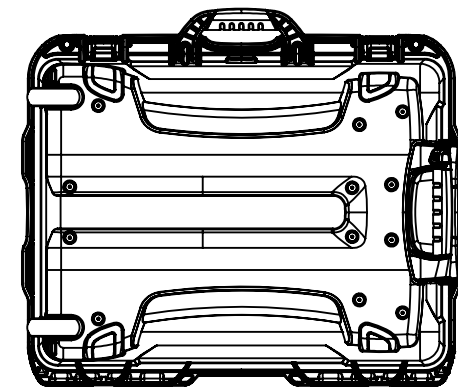


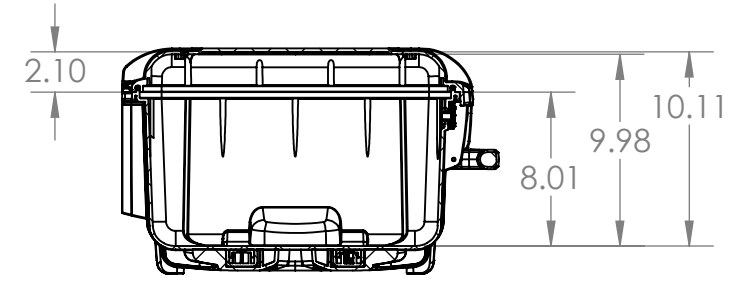
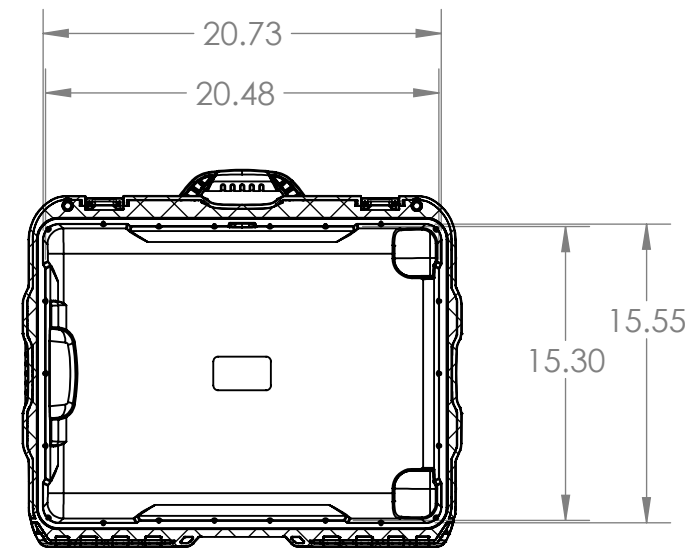
THE INFORMATION CONTAINED IN THIS DRAWING IS THE SOLE PROPERTY OF PLASTICASE ANY REPRODUCTION IN PART OR WHOLE WITHOUT THE WRITTEN PERMISSION OF PLASTICASE IS PROHIBITED.

REVISIONS			
REV.	DESCRIPTION	DATE	APPROVED

D
C
B
A



D
C
B
A



SECTION A-A

SECTION B-B

NANUK 950 Specifications

Case Weight Empty	15.10lbs / 6.85 kg
Interior Length	20.48" / 520mm
Interior Width	15.30" / 389mm
Interior Height	10.11" / 257mm
Interior Lid Depth	2.10" / 53mm
Interior Base Depth	8.01" / 203mm
Exterior Length	22.87" / 581mm
Exterior Width	18.27" / 464mm
Exterior Height	11.74" / 298mm
Master Pack Qty.	1
Master Pack Wt.	16.8lbs / 7.7 kg
Max Buoyancy	110 lbs / 50.0 kg

PARTS LIST

UNLESS OTHERWISE SPECIFIED DIMENSIONS ARE IN INCHES	CAD GENERATED DRAWING, DO NOT MANUALLY UPDATE		PLASTICASE
	APPROVALS	DATE	
	DRAWN P.L.O.	31/01/2014	
	CHECKED		
MATERIAL	RESP ENG		NANUK 950
FINISH --	MFG ENG		
DO NOT SCALE DRAWING	QUAL ENG		
	SIZE B	DWG. NO.	REV.
	SCALE 1:10	CAD FILE: 950_Assembly	SHEET 1 OF 1