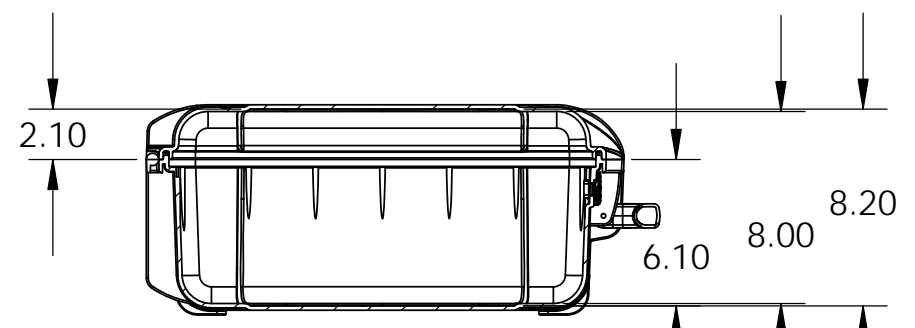
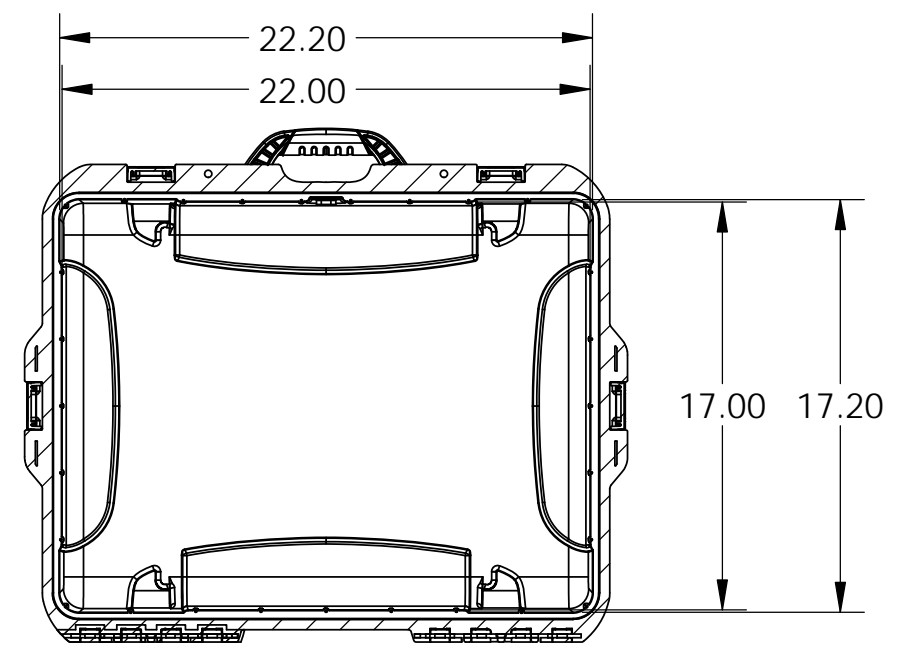
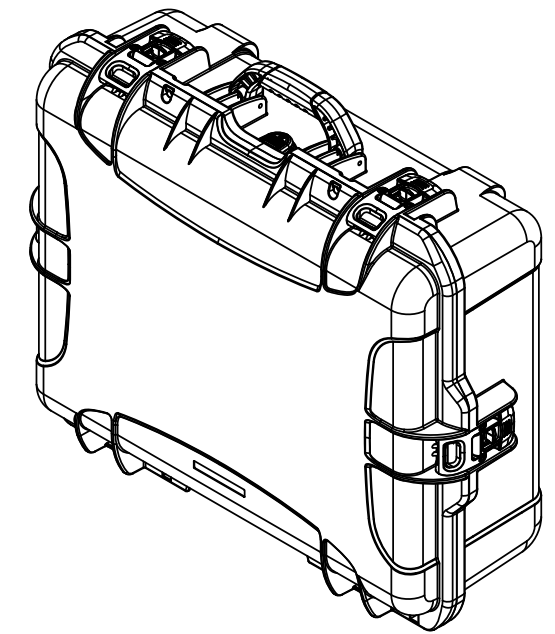
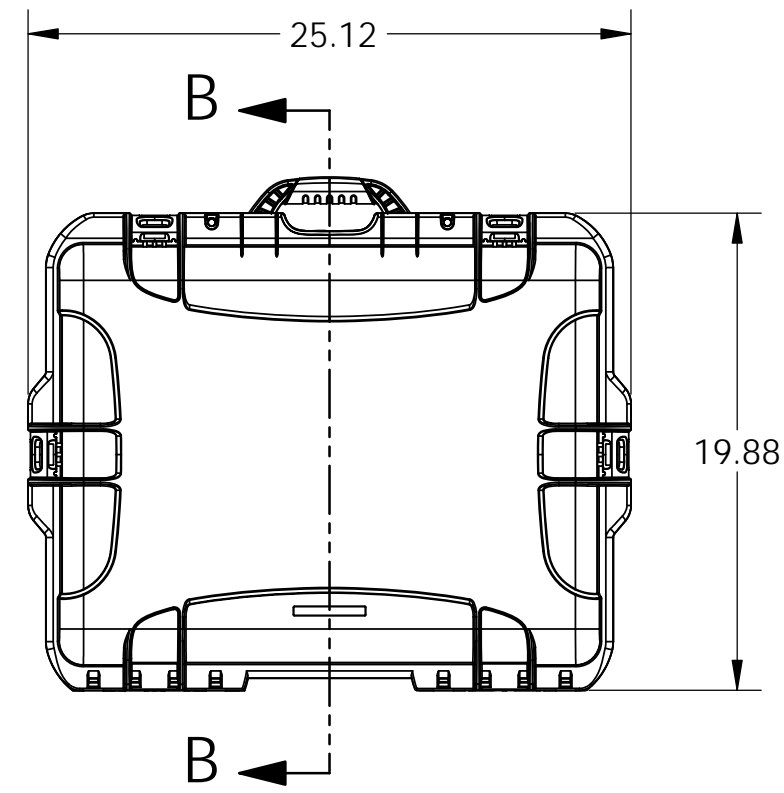
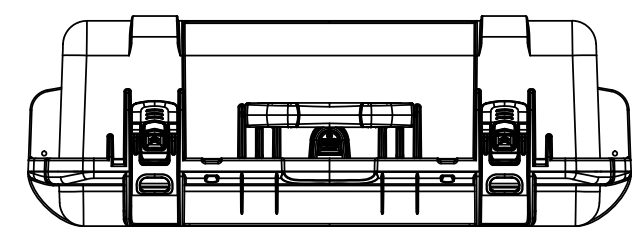
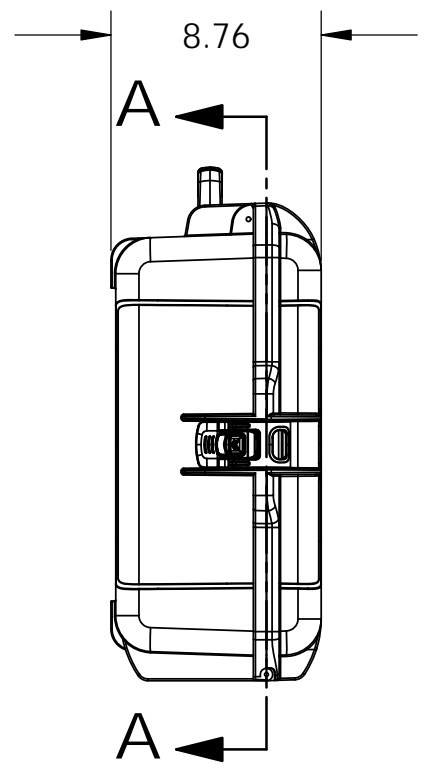
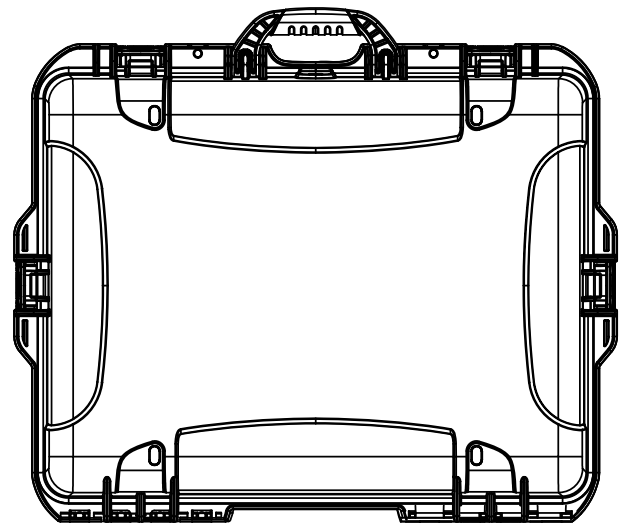


THE INFORMATION CONTAINED IN THIS DRAWING IS THE SOLE PROPERTY OF PLASTICASE ANY REPRODUCTION IN PART OR WHOLE WITHOUT THE WRITTEN PERMISSION OF PLASTICASE IS PROHIBITED.

REVISIONS			
REV.	DESCRIPTION	DATE	APPROVED

D  
C  
B  
A

D  
C  
B  
A



SECTION B-B

SECTION A-A

NANUK 945 Specifications	
Case Weight Empty	10.6lbs / 4.8kg
Interior Length	22.00" / 559mm
Interior Width	17.00" / 432mm
Interior Height	8.20" / 208mm
Interior Lid Depth	2.10" / 34mm
Interior Base Depth	4.10" / 104mm
Exterior Length	25.12" / 638mm
Exterior Width	19.88" / 505mm
Exterior Height	8.76" / 223mm
Master Pack Qty.	2
Master Pack Wt.	28.17lbs / 12.78kg
Max Buoyancy	121lbs / 54.43kg

PARTS LIST			
UNLESS OTHERWISE SPECIFIED DIMENSIONS ARE IN INCHES	CAD GENERATED DRAWING, DO NOT MANUALLY UPDATE		PLASTICASE
	APPROVALS	DATE	
	DRAWN B.C.	6/30/2011	
	CHECKED		
MATERIAL	RESP ENG		NANUK 945
FINISH --	MFG ENG		
DO NOT SCALE DRAWING	QUAL ENG		
SIZE B	DWG. NO.	REV.	
SCALE 1:8	CAD FILE: 945_ASSEMBLY	SHEET 1 OF 1	

8 7 6 5 4 3 2 1

8 7 6 5 4 3 2 1