



1059, boulevard des Entreprises Ouest
 Terrebonne, QC Canada J6Y 1V2
 Tel 450-628-1006 1.800.783.6883
 Fax 450-628-7801 1.888.783.6883
 www.plasticase.com

940 PADDED DIVIDER

PROJECT

940_NANUK

PRODUCT

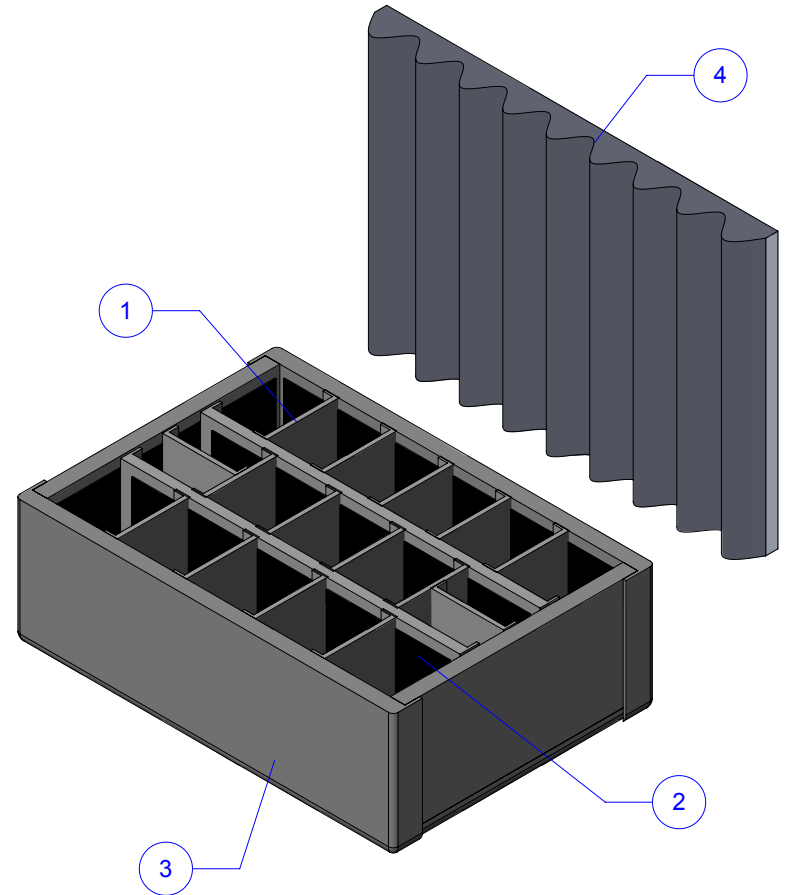
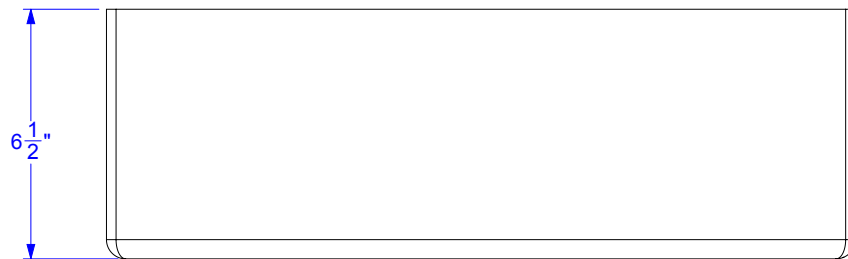
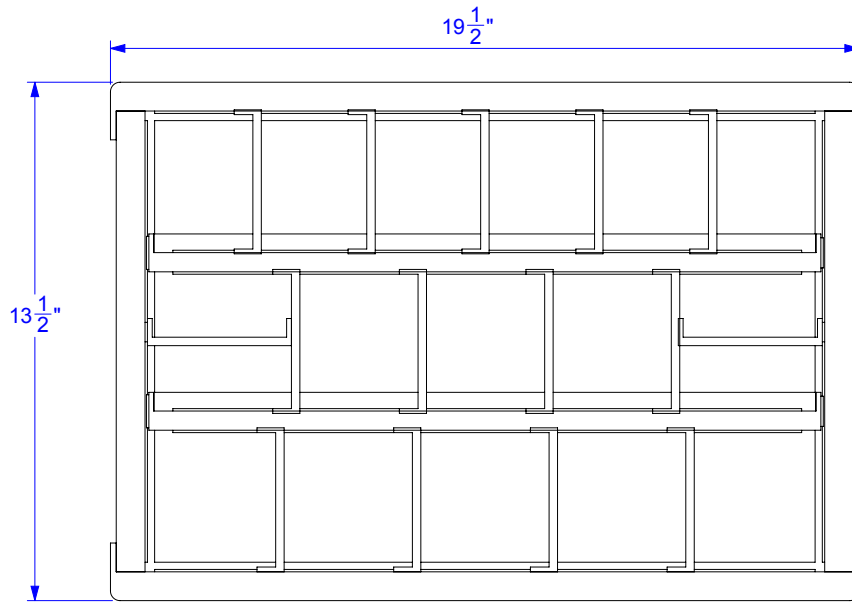
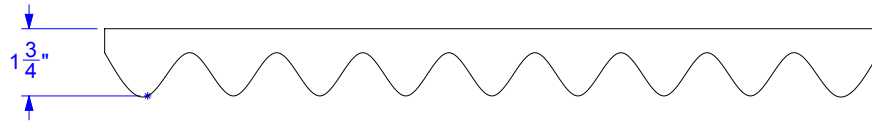
940_PADDED_DIVIDER_a.00

DWG ID

STATUS

ITEM	DESCRIPTION	QTY.
1	940_PADDED DIVIDER 5" X 0.3" X 3.8"	15
2	940_PADDED DIVIDER 5" X 0.5" X 17.5"	2
3	940_PADDED DIVIDER CONTOUR	1
4	940_CONVOLUTED FOAM	1

CONVOLUTED FOAM



REV.	DESCRIPTION	DATE	INITIALS
REVISIONS			

PROPRIETARY AND CONFIDENTIAL
 THE INFORMATION CONTAINED IN THIS DRAWING IS THE SOLE & EXCLUSIVE PROPERTY OF PLASTICASE INC.
 ANY REPRODUCTION IN PART OR WHOLE WITHOUT THE WRITTEN PERMISSION OF PLASTICASE INC. IS PROHIBITED.

DO NOT SCALE DRAWING
 SHEET SCALE 1:5

Karen Dupuis
 DESIGNER

02/05/2017
 DATE



1059, boulevard des Entreprises Ouest
 Terrebonne, QC Canada J6Y 1V2
 Tel 450-628-1006 1.800.783.6883
 Fax 450-628-7801 1.888.783.6883
 www.plasticase.com

940_PADDED DIVIDER

PROJECT

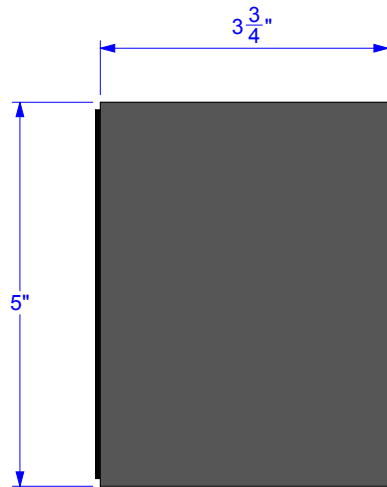
940_NANUK

PRODUCT

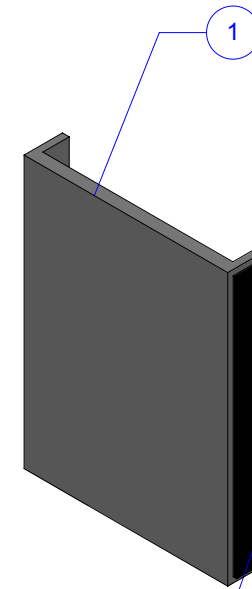
940_PADDED_DIVIDER_a.00

DWG ID

STATUS



940_PADDED DIVIDER 5" X 0.3" X 3.8"



VELCRO ON BOTH ENDS /
 VELCRO SUR LES
 DEUX EXTREMITES

FOAM DENSITY MAY VARY.
 DIMENSIONS ARE IN INCHES UNLESS OTHERWISE SPECIFIED

PROPRIETARY AND CONFIDENTIAL

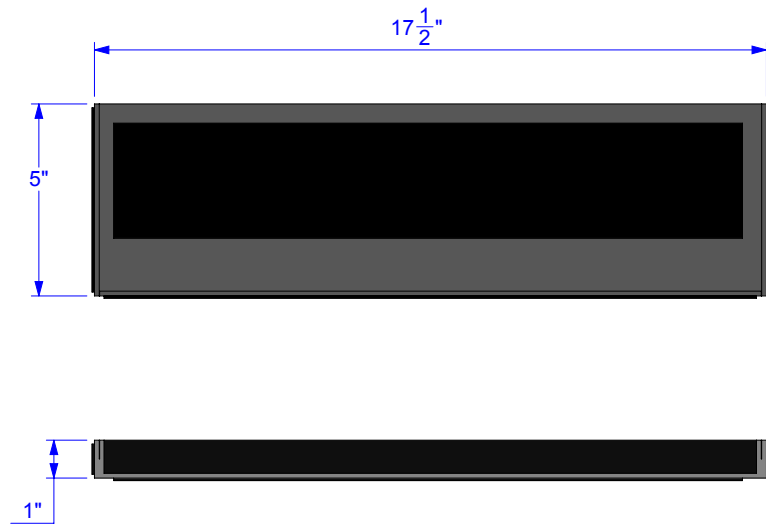
THE INFORMATION CONTAINED IN THIS DRAWING IS THE SOLE & EXCLUSIVE PROPERTY OF PLASTICASE INC.
 ANY REPRODUCTION IN PART OR WHOLE WITHOUT THE WRITTEN PERMISSION OF PLASTICASE INC. IS PROHIBITED.

DO NOT SCALE DRAWING
 SHEET SCALE 1:2.5

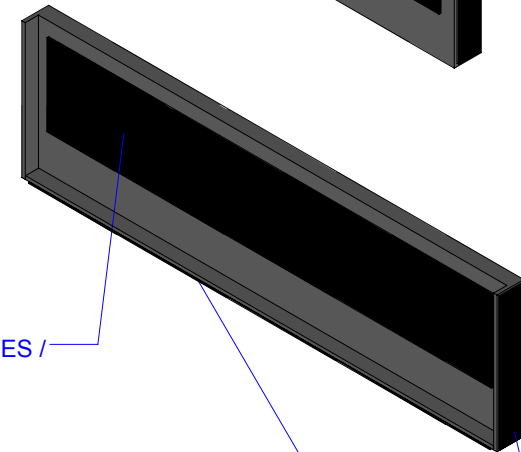
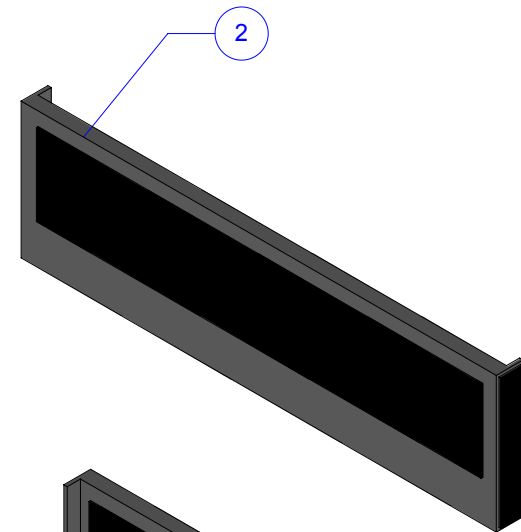
Karen Dupuis
 DESIGNER

02/05/2017
 DATE

2/5



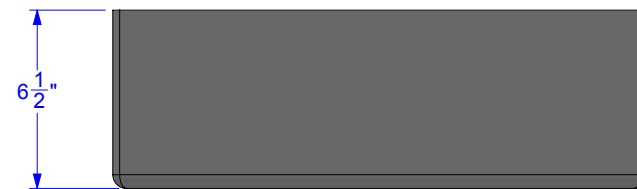
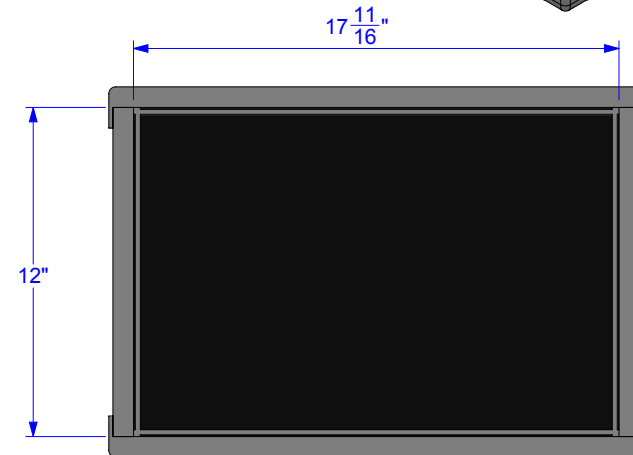
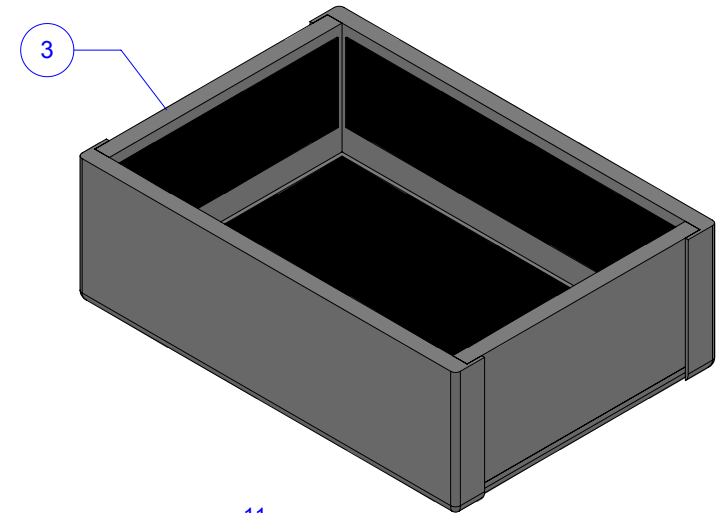
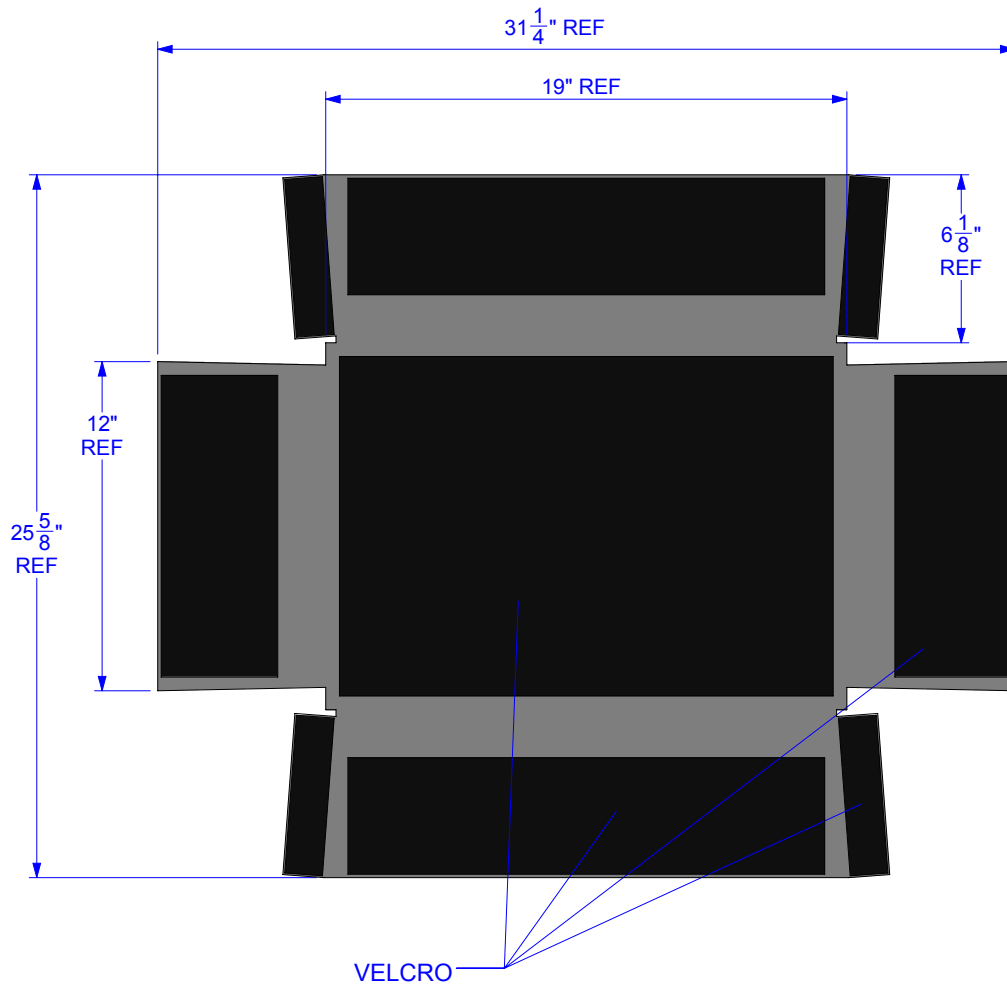
940_PADDED DIVIDER 5" X 0.5" X 17.5"



VELCRO ON BOTH SIDES /
 VELCRO SUR LES
 DEUX COTES

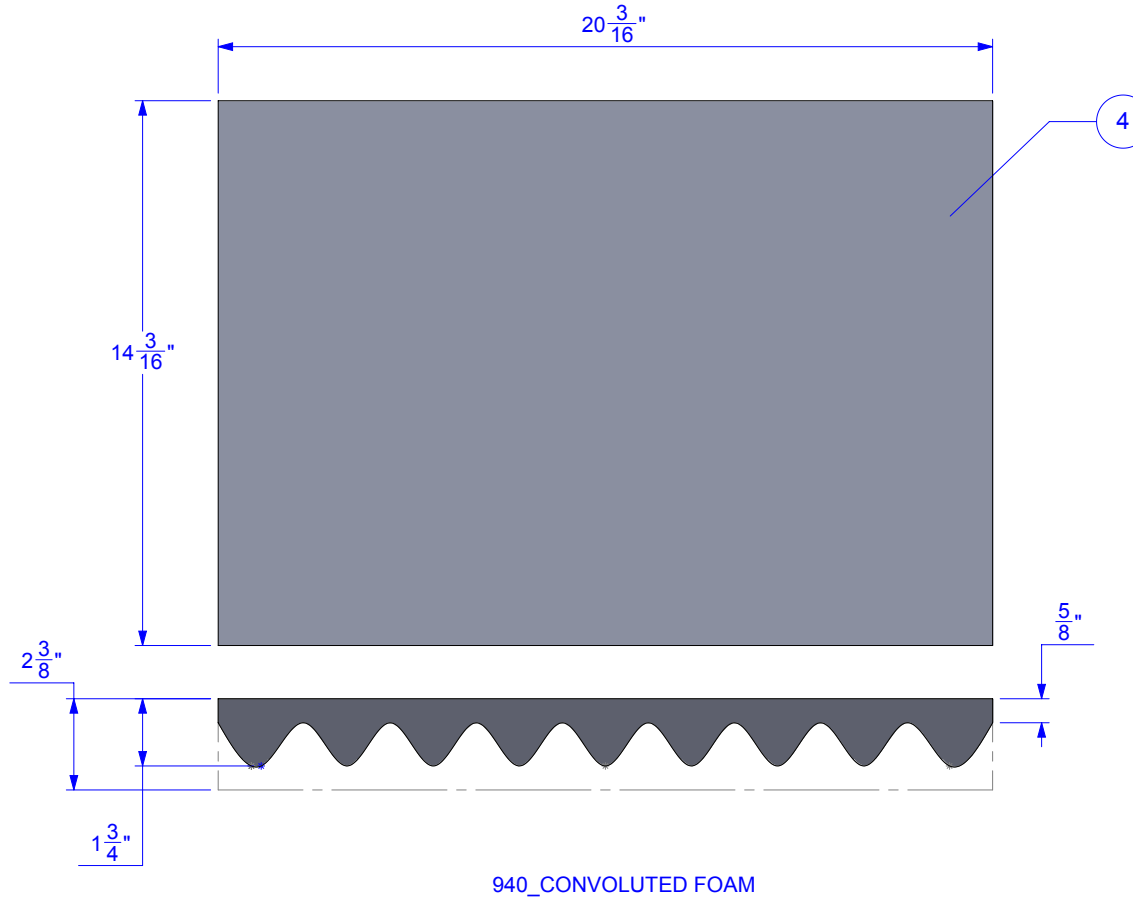
VELCRO ON THE BOTTOM /
 VELCRO EN DESSOUS

VELCRO ON BOTH ENDS /
 VELCRO SUR LES
 DEUX EXTREMITES



940_PADDED DIVIDER CONTOUR

FOAM DENSITY MAY VARY.
 DIMENSIONS ARE IN INCHES UNLESS OTHERWISE SPECIFIED



PUF P150-55 BLK 2 3/8" THICK 5/8" BASE
MATERIAL