

YOUR SIGNATURE IS REQUIRED FOR APPROVAL BEFORE ANY RELEASE OF PRODUCTION DRAWINGS

**TOLERANCES**

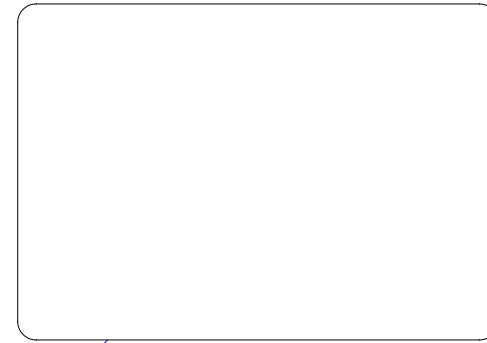
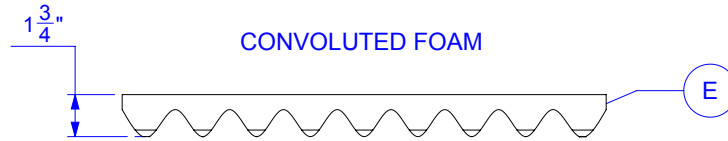
CUTOUTS +/- 1/16

OVERALL FOAM THICKNESS & CAVITY DEPTHS +/- 1/8

SIGNATURE

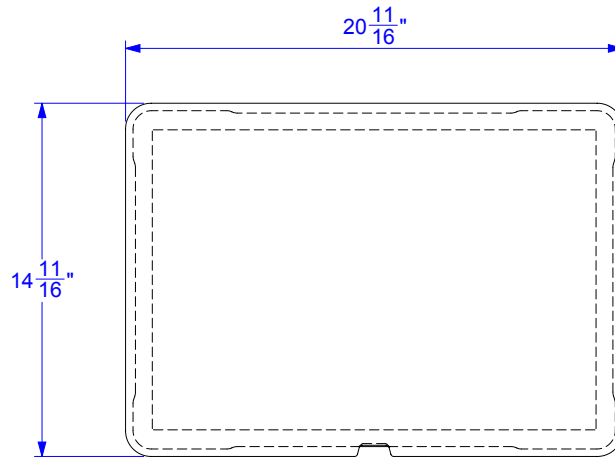
DATE

LID TRAY - ELEVATION



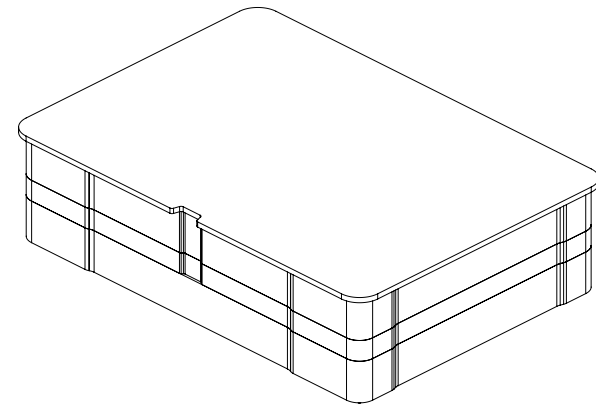
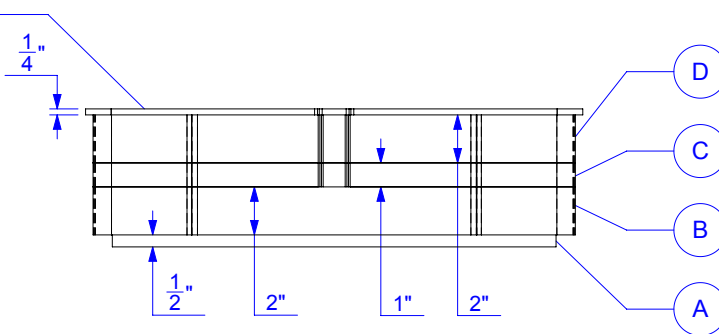
CUSTOM LID

BASE TRAY



OPTIONAL LAYER (COVERS PANEL FLANGE)

BASE TRAY - ELEVATION



FOAM DENSITY MAY VARY. DIMENSIONS ARE IN INCHES UNLESS OTHERWISE SPECIFIED

YOUR SIGNATURE IS REQUIRED FOR APPROVAL BEFORE ANY RELEASE OF PRODUCTION DRAWINGS

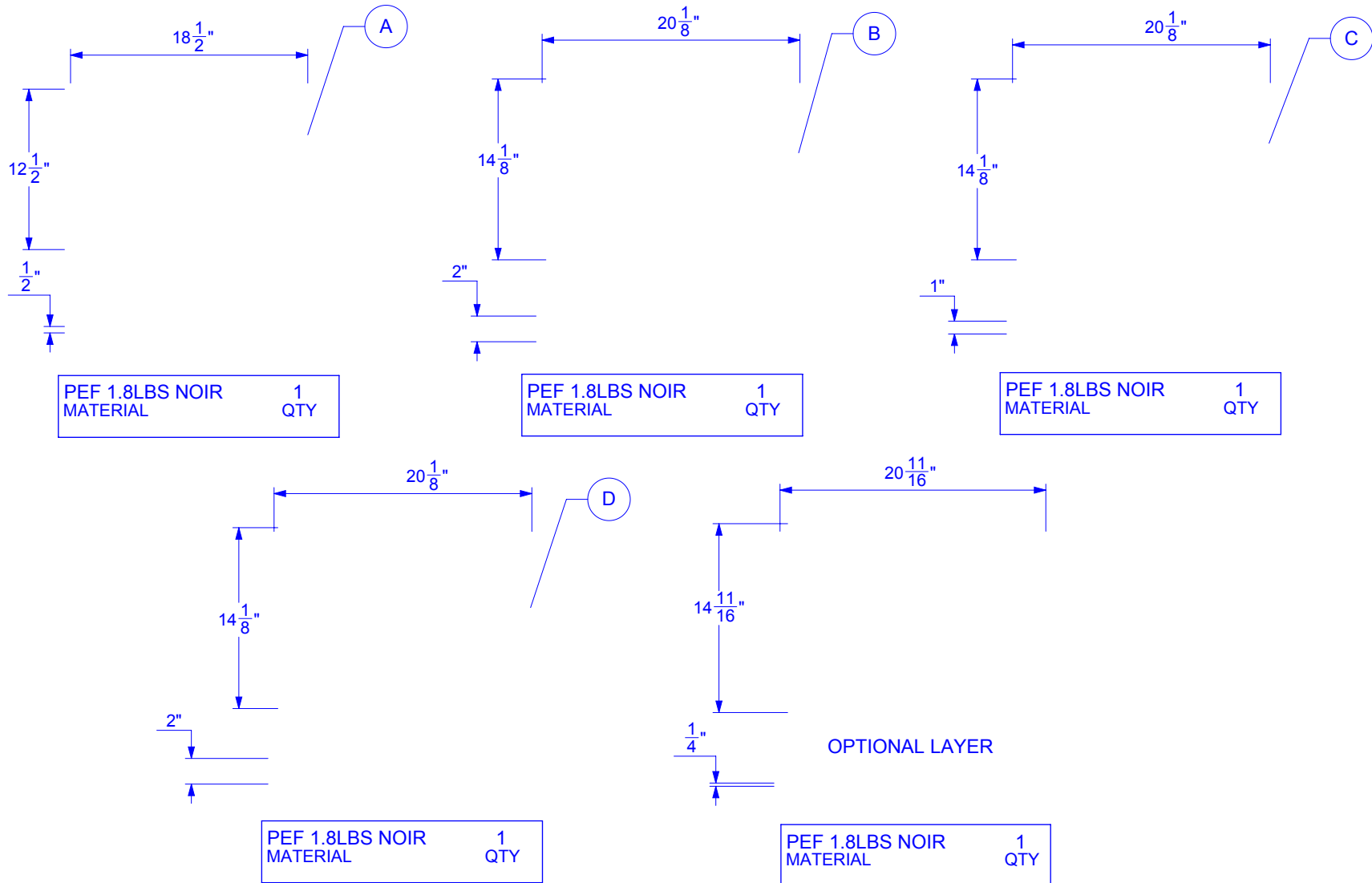
**TOLERANCES**

CUTOUTS +/- 1/16

OVERALL FOAM THICKNESS & CAVITY DEPTHS +/- 1/8

SIGNATURE

DATE



FOAM DENSITY MAY VARY. DIMENSIONS ARE IN INCHES UNLESS OTHERWISE SPECIFIED



1059, boulevard des Entreprises Ouest  
 Terrebonne, QC Canada J6Y 1V2  
 Tel 450-628-1006 1.800.783.6883  
 Fax 450-628-7801 1.888.783.6883  
 www.plasticase.com

# CUSTOM FOAM TEMPLATE

PROJECT

PRODUCT

00940\_NANUK\_CUSTOM\_FOAM\_p.00

DWG ID

STATUS

YOUR SIGNATURE IS REQUIRED FOR APPROVAL BEFORE ANY RELEASE OF PRODUCTION DRAWINGS

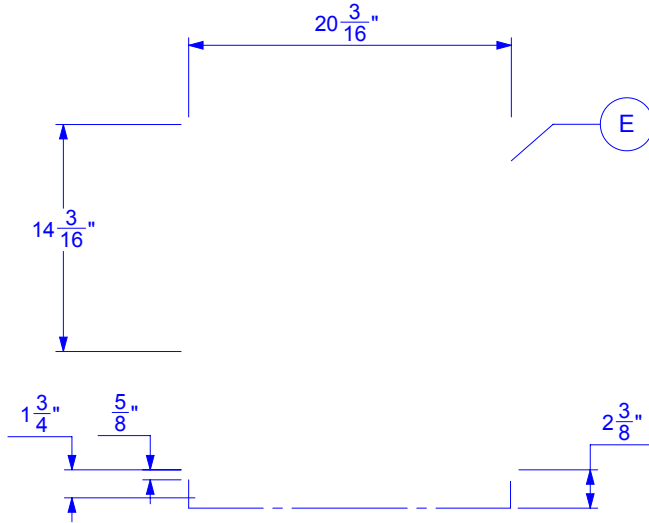
## TOLERANCES

CUTOUTS +/- 1/16

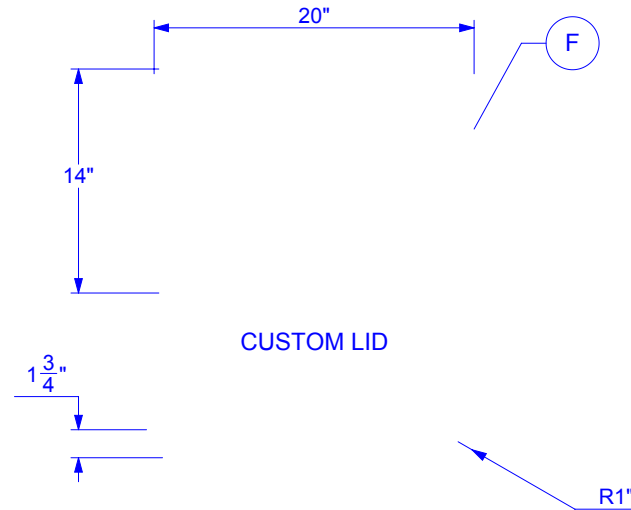
OVERALL FOAM THICKNESS & CAVITY DEPTHS +/- 1/8

SIGNATURE

DATE



PUF 150-55 2 3/8" THICK 5/8" BASE  
 MATERIAL 1 QTY



PEF 1.8LBS NOIR  
 MATERIAL 1 QTY

FOAM DENSITY MAY VARY. DIMENSIONS ARE IN INCHES UNLESS OTHERWISE SPECIFIED

**PROPRIETARY AND CONFIDENTIAL**

THE INFORMATION CONTAINED IN THIS DRAWING IS THE SOLE & EXCLUSIVE PROPERTY OF PLASTICASE INC. ANY REPRODUCTION IN PART OR WHOLE WITHOUT THE WRITTEN PERMISSION OF PLASTICASE INC. IS PROHIBITED.

DO NOT SCALE DRAWING  
 SHEET SCALE 1:12

-  
 REPRESENTATIVE

Martin Keighan  
 DESIGNER

2016-12-27  
 DATE