

YOUR SIGNATURE IS REQUIRED FOR APPROVAL BEFORE ANY RELEASE OF PRODUCTION DRAWINGS

SIGNATURE

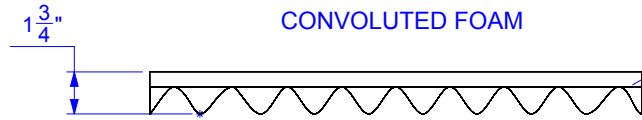
DATE

**TOLERANCES**

CUTOUTS +/- 1/16

OVERALL FOAM THICKNESS & CAVITY DEPTHS +/- 1/8

TOP TRAY - ELEVATION

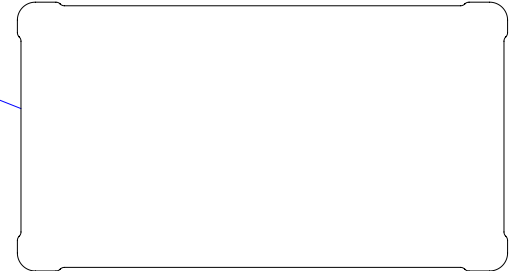


CONVOLUTED FOAM

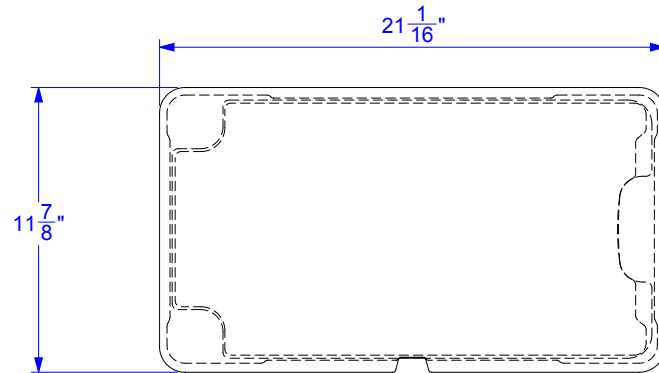
(E)

CUSTOM LID

(F)

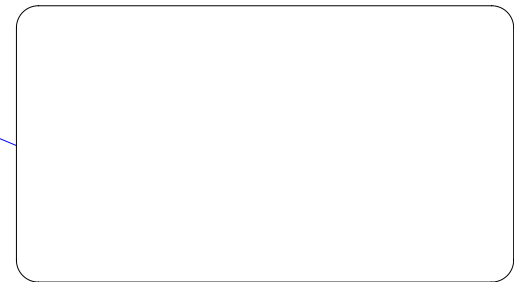


BASE TRAY

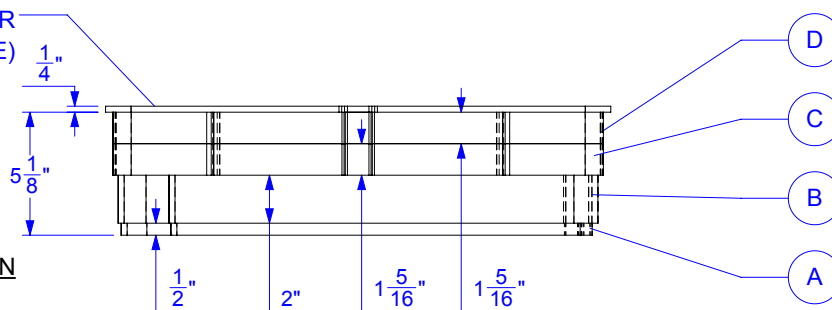


CUSTOM LID WITH OPTIONAL LAYER (COVERS PANEL FLANGE)

(G)



BASE TRAY - ELEVATION

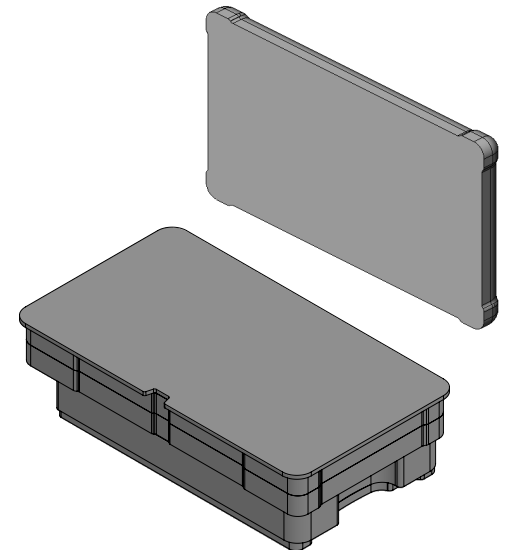


(D)

(C)

(B)

(A)



FOAM DENSITY MAY VARY. DIMENSIONS ARE IN INCHES UNLESS OTHERWISE SPECIFIED

YOUR SIGNATURE IS REQUIRED FOR APPROVAL BEFORE ANY RELEASE OF PRODUCTION DRAWINGS

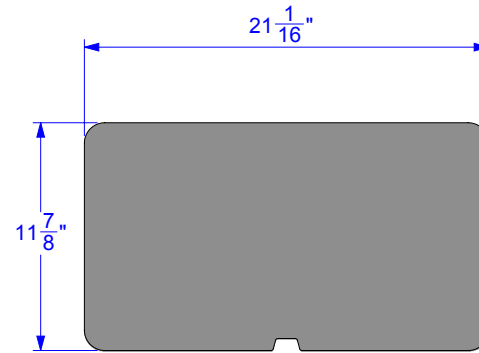
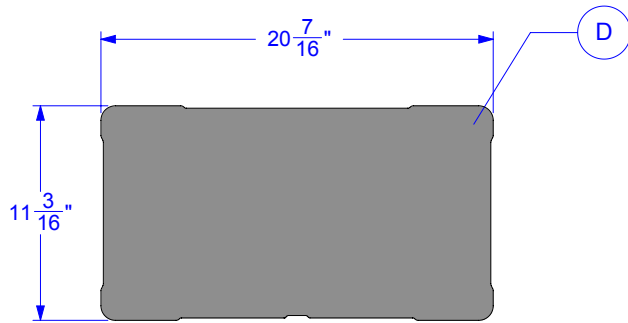
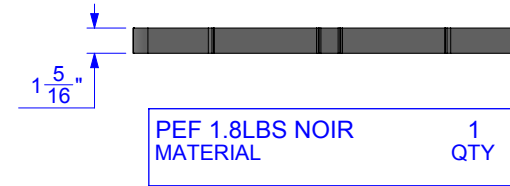
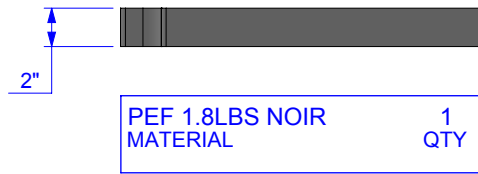
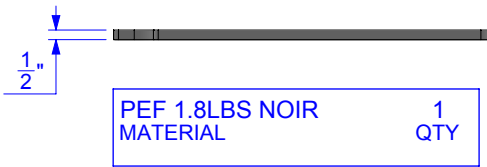
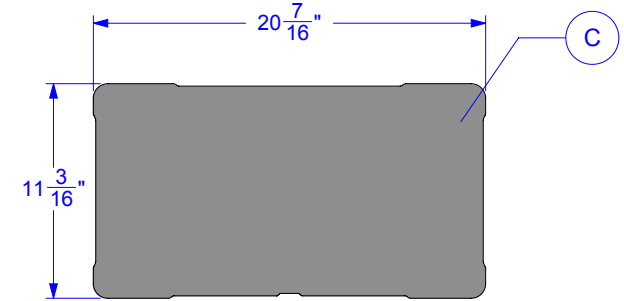
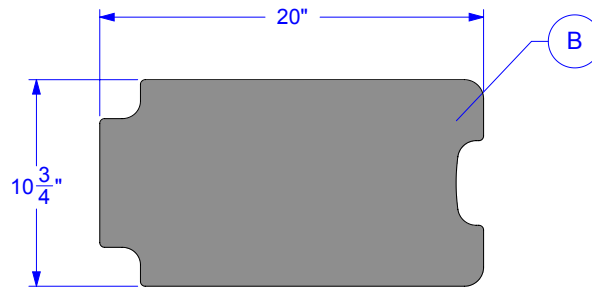
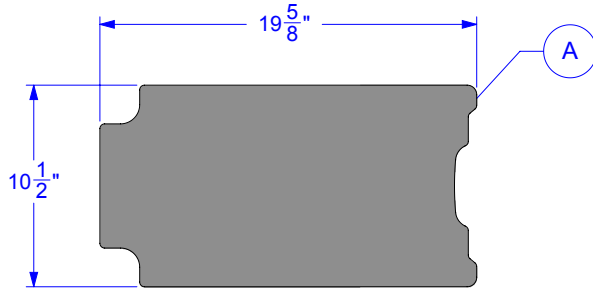
**TOLERANCES**

CUTOUTS +/- 1/16

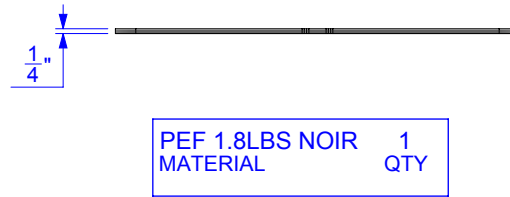
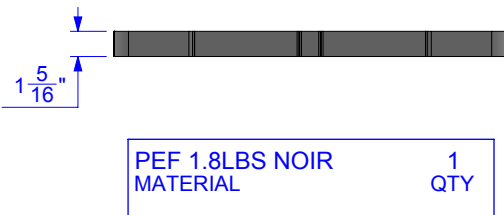
OVERALL FOAM THICKNESS & CAVITY DEPTHS +/- 1/8

SIGNATURE

DATE



OPTIONAL LAYER



FOAM DENSITY MAY VARY. DIMENSIONS ARE IN INCHES UNLESS OTHERWISE SPECIFIED

YOUR SIGNATURE IS REQUIRED FOR APPROVAL BEFORE ANY RELEASE OF PRODUCTION DRAWINGS

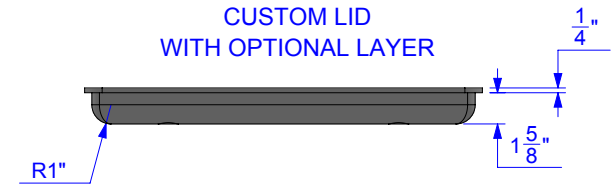
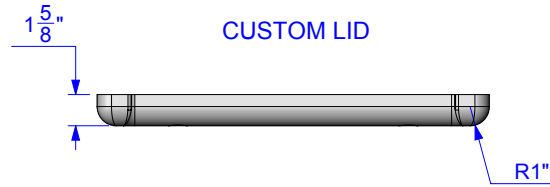
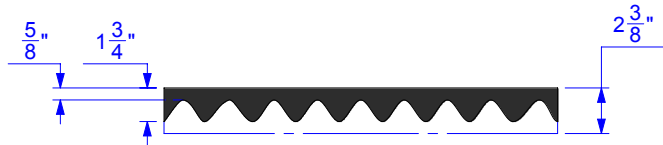
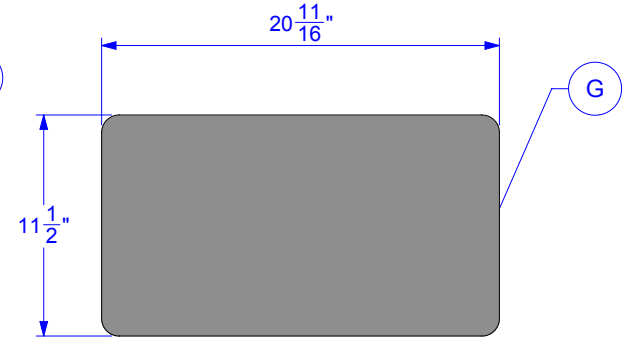
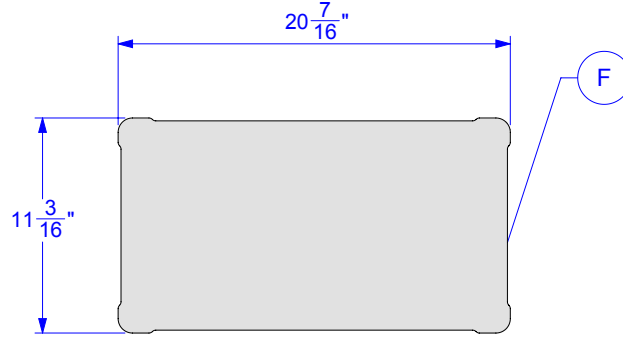
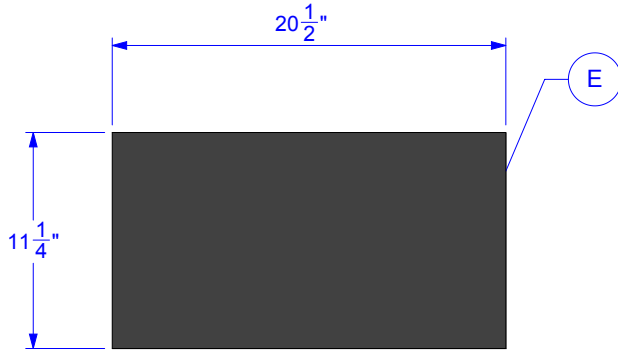
**TOLERANCES**

CUTOUTS +/- 1/16

OVERALL FOAM THICKNESS & CAVITY DEPTHS +/- 1/8

SIGNATURE

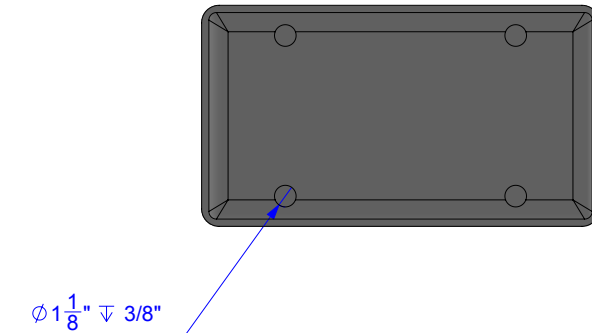
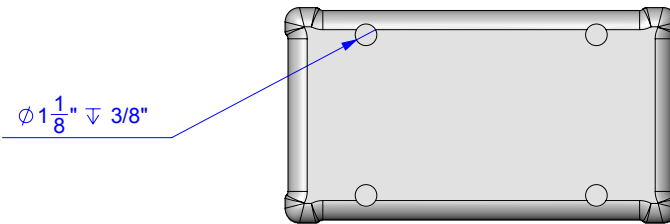
DATE



PUF 150-55 2 3/8" THICK 5/8" BASE MATERIAL 1 QTY

PEF 1.8LBS NOIR MATERIAL 1 QTY

PEF 1.8LBS NOIR MATERIAL 1 QTY



FOAM DENSITY MAY VARY. DIMENSIONS ARE IN INCHES UNLESS OTHERWISE SPECIFIED