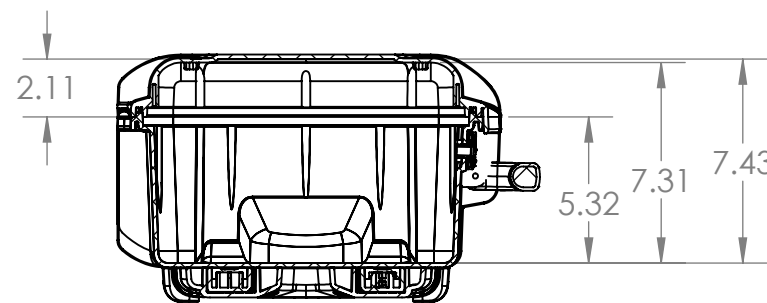
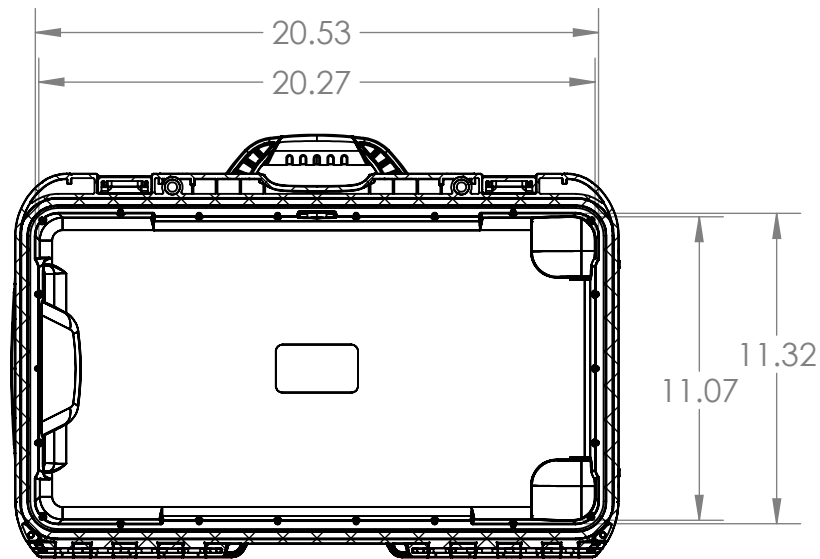
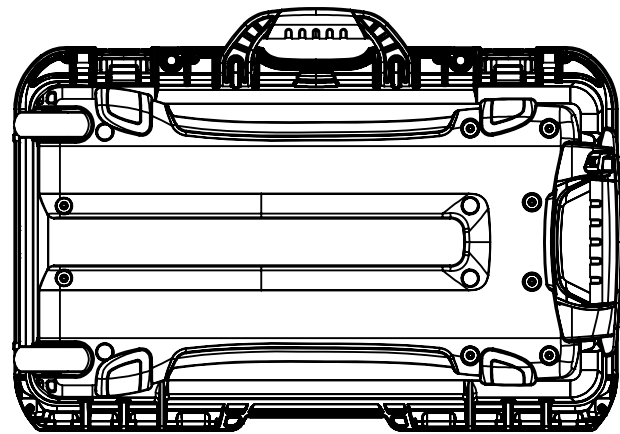
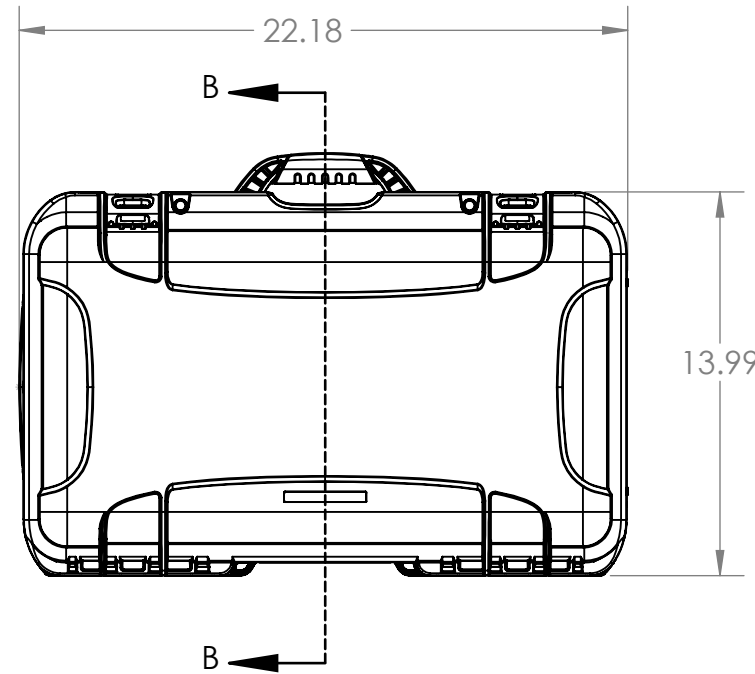
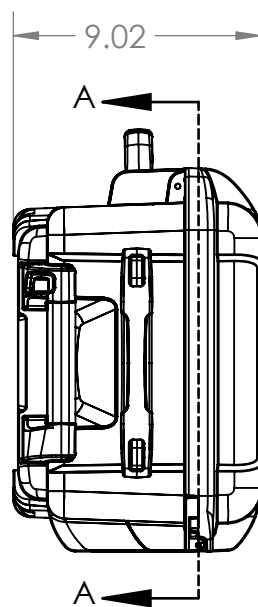
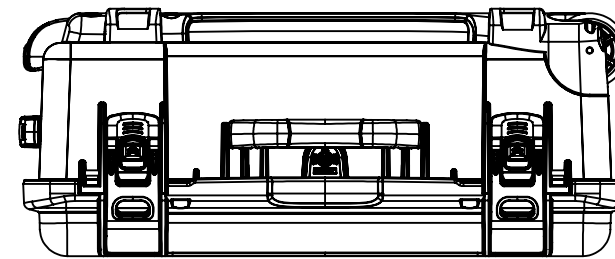


THE INFORMATION CONTAINED IN THIS DRAWING IS THE SOLE PROPERTY OF PLASTICASE ANY REPRODUCTION IN PART OR WHOLE WITHOUT THE WRITTEN PERMISSION OF PLASTICASE IS PROHIBITED.

REVISIONS			
REV.	DESCRIPTION	DATE	APPROVED



NANUK 935 Specifications

Case Weight Empty	11.6lbs / 5.2kg
Interior Length	20.27" / 515mm
Interior Width	11.07" / 281mm
Interior Height	7.43" / 189mm
Interior Lid Depth	2.11" / 54mm
Interior Base Depth	5.32" / 135mm
Exterior Length	22.18" / 563mm
Exterior Width	13.99" / 355mm
Exterior Height	9.02" / 229mm
Master Pack Qty.	1
Master Pack Wt.	12.7lbs / 5.7kg
Max Buoyancy	58 lbs / 26.44 kg

PARTS LIST

UNLESS OTHERWISE SPECIFIED DIMENSIONS ARE IN INCHES	CAD GENERATED DRAWING, DO NOT MANUALLY UPDATE		PLASTICASE
	APPROVALS	DATE	
	DRAWN P.L.O.	29/10/2013	
	CHECKED		
MATERIAL	RESP ENG		NANUK 935
FINISH --	MFG ENG		
DO NOT SCALE DRAWING	QUAL ENG		
	SIZE B	DWG. NO.	REV.
	SCALE 1:7	CAD FILE: 935_ass_8.2_Rev3 PC+ABS SHEET 1 OF 1	