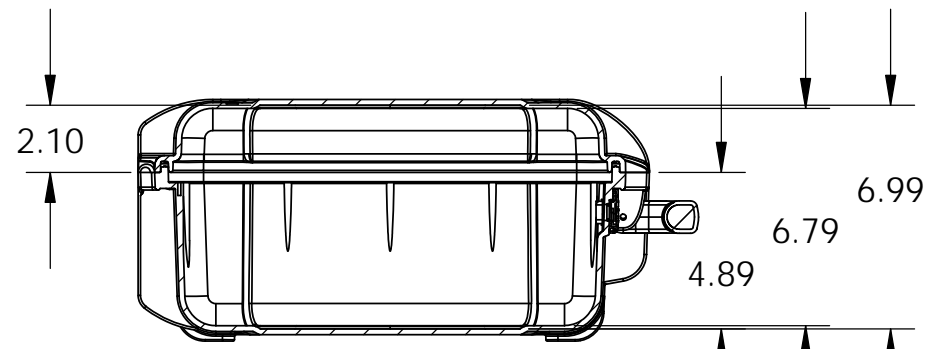
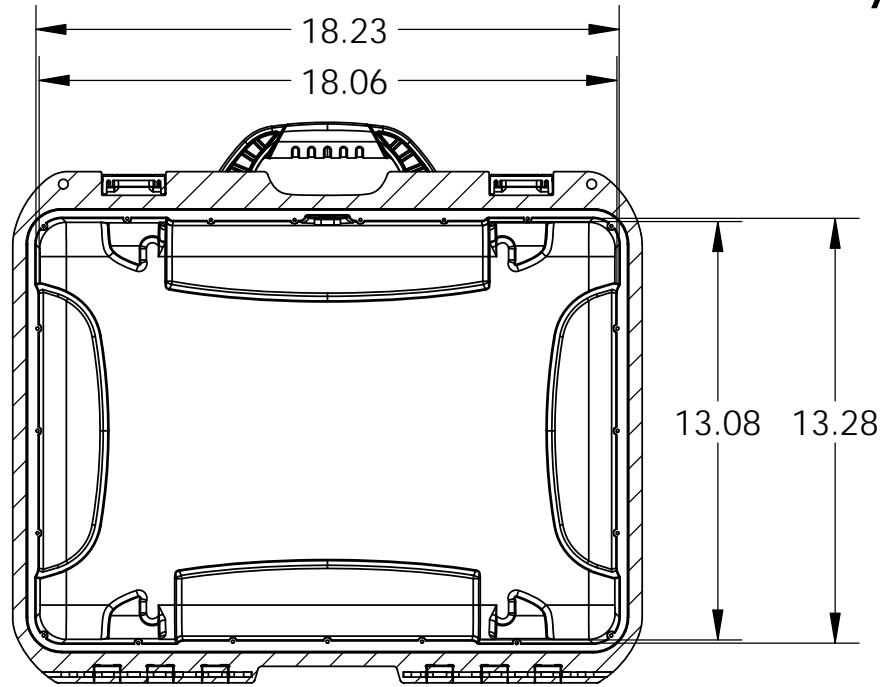
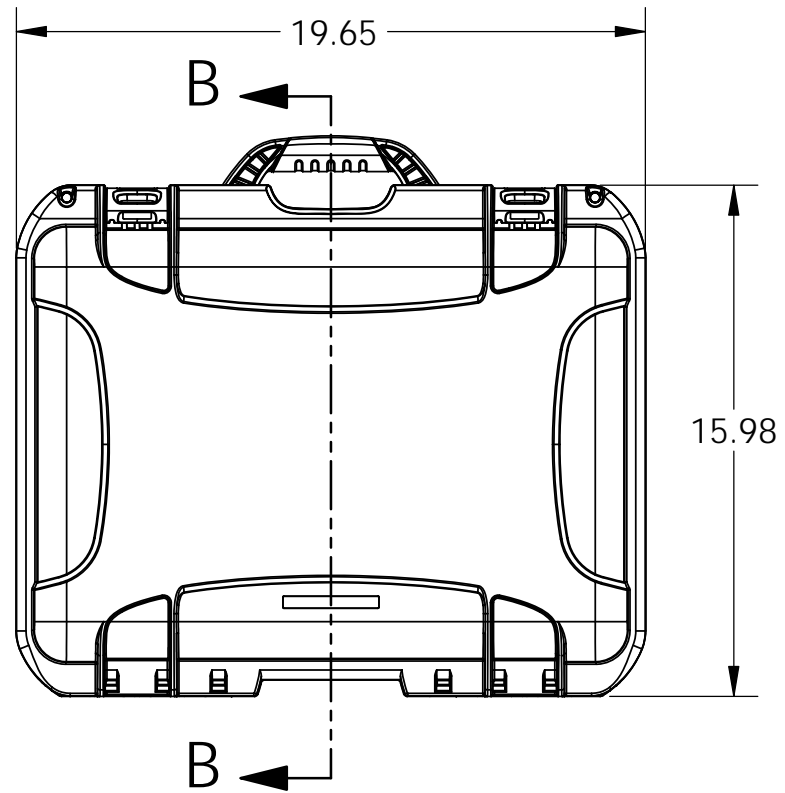
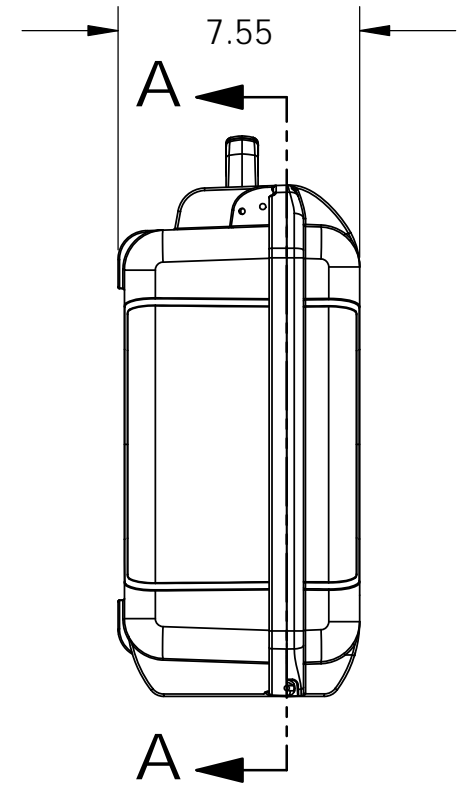
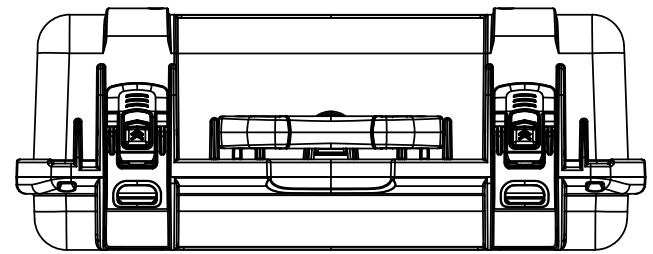
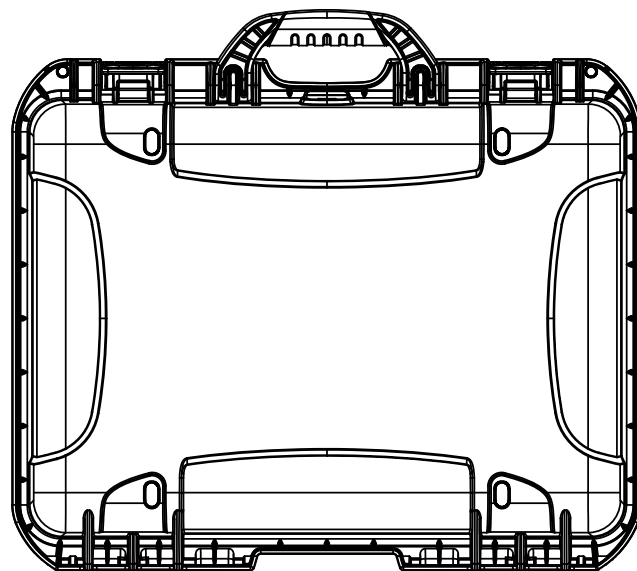


THE INFORMATION CONTAINED IN THIS DRAWING IS THE SOLE PROPERTY OF PLASTICASE ANY REPRODUCTION IN PART OR WHOLE WITHOUT THE WRITTEN PERMISSION OF PLASTICASE IS PROHIBITED.

REVISIONS			
REV.	DESCRIPTION	DATE	APPROVED

D
C
B
A



NANUK 930 Specifications	
Case Weight Empty	7.1lbs / 3.2kg
Interior Length	18.06" / 459mm
Interior Width	13.08" / 332mm
Interior Height	6.99" / 178mm
Interior Lid Depth	2.11" / 54mm
Interior Base Depth	4.89" / 124mm
Exterior Length	19.65" / 499mm
Exterior Width	15.98" / 406mm
Exterior Height	7.55" / 192mm
Master Pack Qty.	3
Master Pack Wt.	27.8lbs / 12.61kg
Max Buoyancy	65lbs / 29.48kg

SECTION B-B

SECTION A-A

PARTS LIST			
UNLESS OTHERWISE SPECIFIED DIMENSIONS ARE IN INCHES		CAD GENERATED DRAWING, DO NOT MANUALLY UPDATE	
APPROVALS		DATE	
DRAWN	B.C.	6/30/2011	
CHECKED			
MATERIAL		RESP ENG	
FINISH		MFG ENG	
DO NOT SCALE DRAWING		QUAL ENG	
		PLASTICASE	
		NANUK 930	
SIZE	DWG. NO.	REV.	
B			
SCALE	CAD FILE	SHEET 1 OF 1	
1:6	930_ASSEMBLY		

8 7 6 5 4 3 2 1