

YOUR SIGNATURE IS REQUIRED FOR APPROVAL BEFORE ANY RELEASE OF PRODUCTION DRAWINGS

SIGNATURE

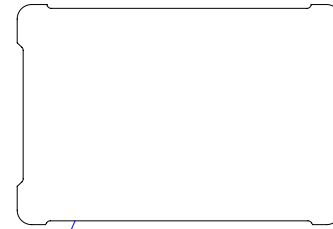
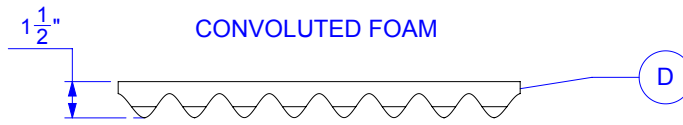
DATE

TOLERANCES

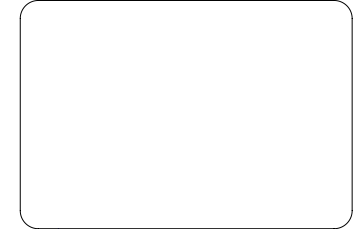
CUTOUTS +/- 1/16

OVERALL FOAM THICKNESS & CAVITY DEPTHS +/- 1/8

LID TRAY - ELEVATION

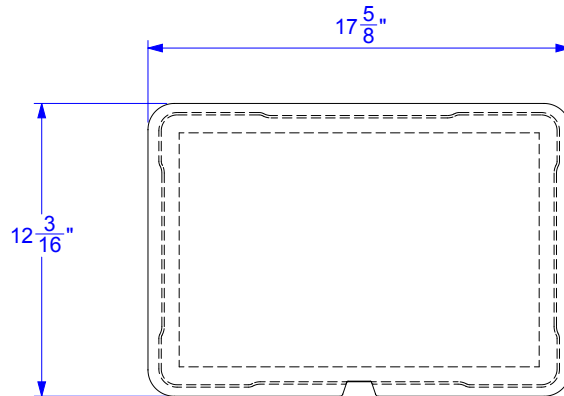


CUSTOM LID



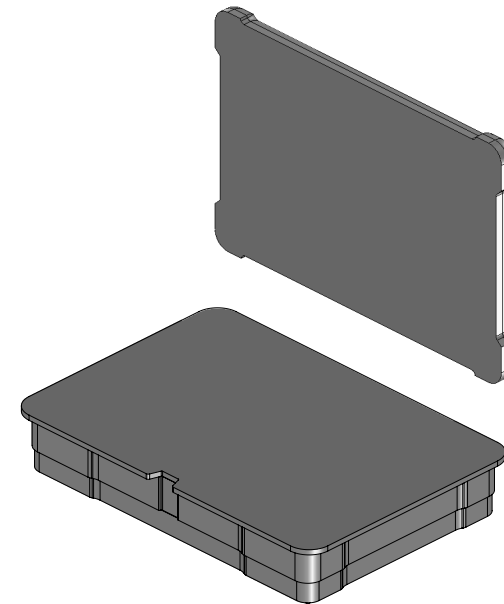
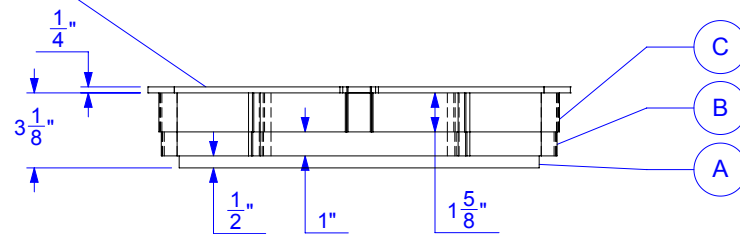
CUSTOM LID WITH OPTIONAL LAYER (COVERS PANEL FLANGE)

BASE TRAY



OPTIONAL LAYER (COVERS PANEL FLANGE)

BASE TRAY - ELEVATION



FOAM DENSITY MAY VARY. DIMENSIONS ARE IN INCHES UNLESS OTHERWISE SPECIFIED

YOUR SIGNATURE IS REQUIRED FOR APPROVAL BEFORE ANY RELEASE OF PRODUCTION DRAWINGS

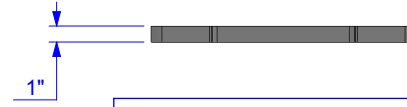
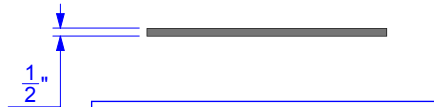
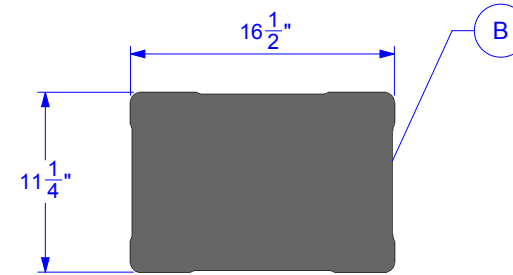
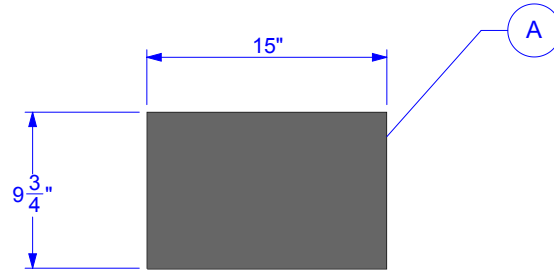
TOLERANCES

CUTOUTS +/- 1/16

OVERALL FOAM THICKNESS & CAVITY DEPTHS +/- 1/8

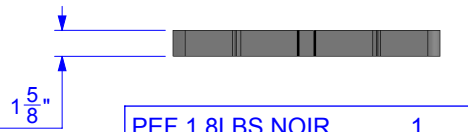
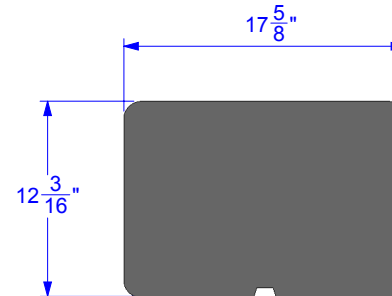
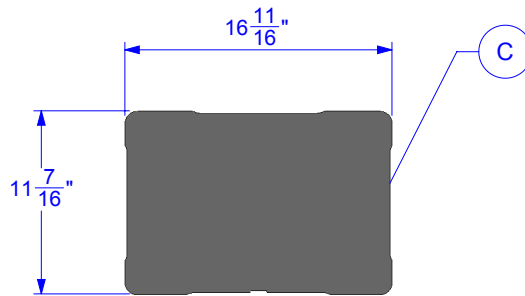
SIGNATURE

DATE



PEF 1.8LBS NOIR MATERIAL 1 QTY

PEF 1.8LBS NOIR MATERIAL 1 QTY



OPTIONAL LAYER

PEF 1.8LBS NOIR MATERIAL 1 QTY

PEF 1.8LBS NOIR MATERIAL 1 QTY

FOAM DENSITY MAY VARY. DIMENSIONS ARE IN INCHES UNLESS OTHERWISE SPECIFIED

YOUR SIGNATURE IS REQUIRED FOR APPROVAL BEFORE ANY RELEASE OF PRODUCTION DRAWINGS

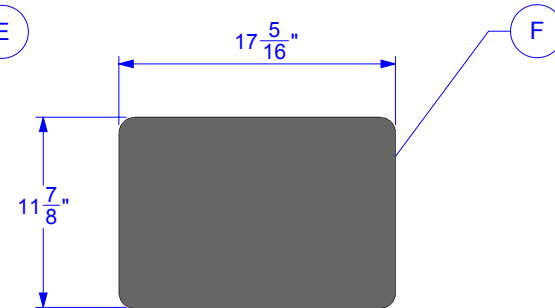
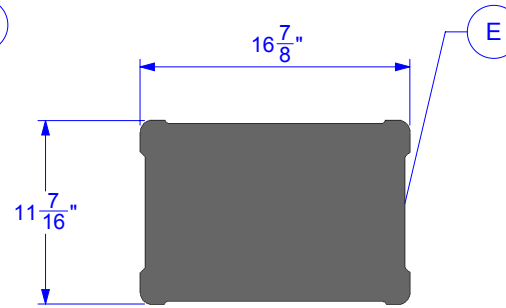
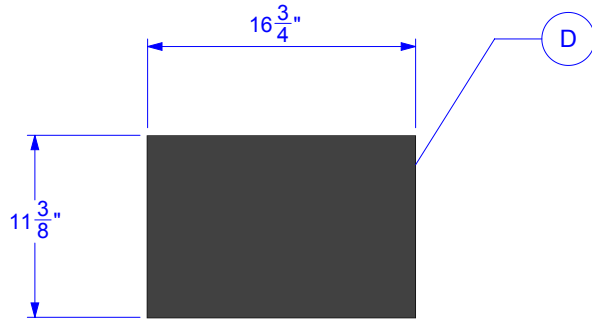
TOLERANCES

CUTOUTS +/- 1/16

OVERALL FOAM THICKNESS & CAVITY DEPTHS +/- 1/8

SIGNATURE

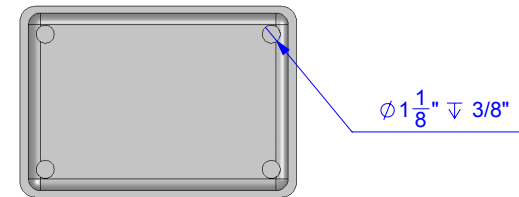
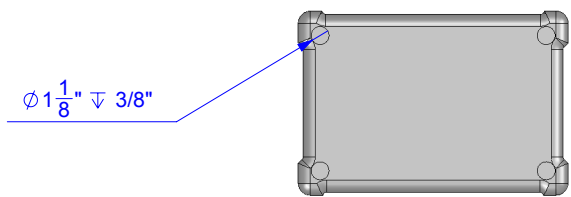
DATE



PUF 150-55 2" THICK 1/2" BASE MATERIAL 1 QTY

PEF 1.8LBS NOIR MATERIAL 1 QTY

PEF 1.8LBS NOIR MATERIAL 1 QTY



FOAM DENSITY MAY VARY. DIMENSIONS ARE IN INCHES UNLESS OTHERWISE SPECIFIED