

YOUR SIGNATURE IS REQUIRED FOR APPROVAL BEFORE ANY RELEASE OF PRODUCTION DRAWINGS

TOLERANCES

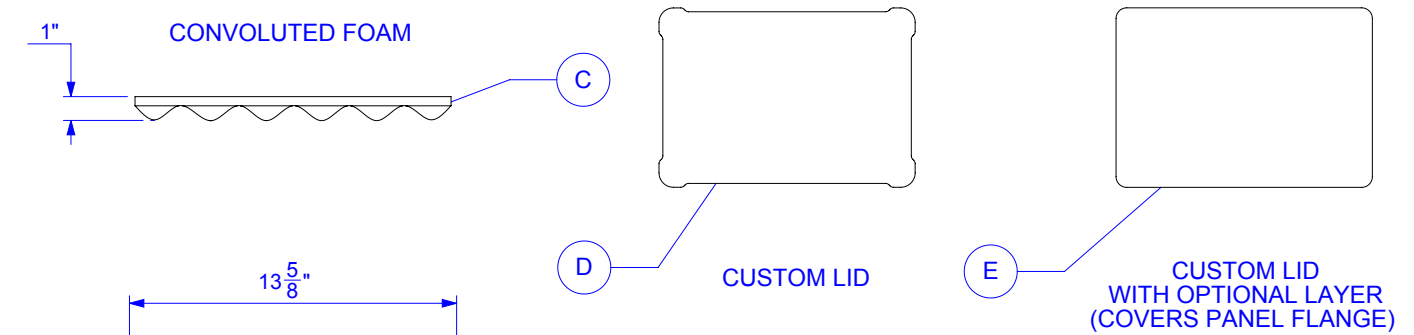
CUTOUTS +/- 1/16

OVERALL FOAM THICKNESS & CAVITY DEPTHS +/- 1/8

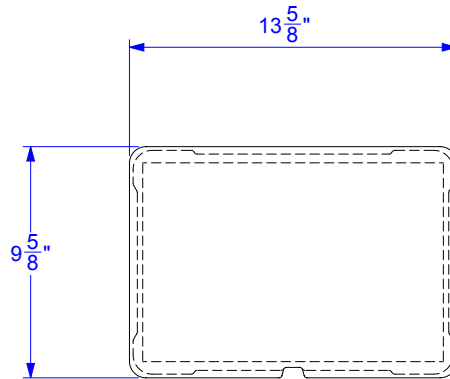
SIGNATURE

DATE

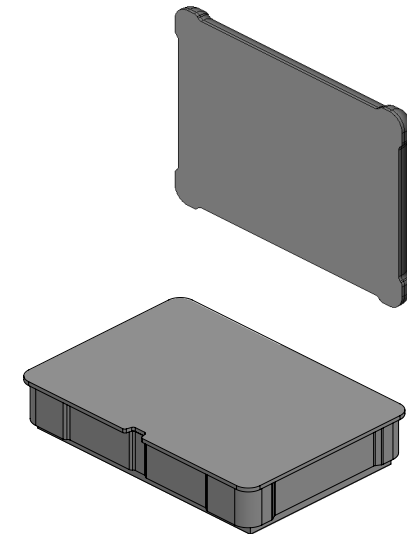
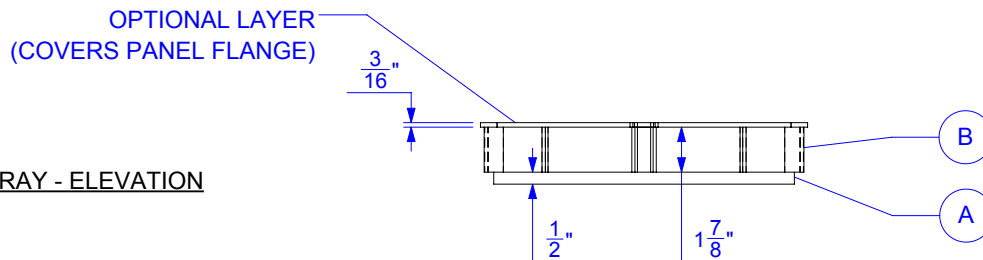
LID TRAY - ELEVATION



BASE TRAY



BASE TRAY - ELEVATION



FOAM DENSITY MAY VARY. DIMENSIONS ARE IN INCHES UNLESS OTHERWISE SPECIFIED

YOUR SIGNATURE IS REQUIRED FOR APPROVAL BEFORE ANY RELEASE OF PRODUCTION DRAWINGS

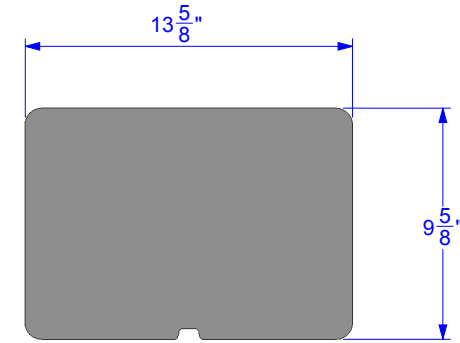
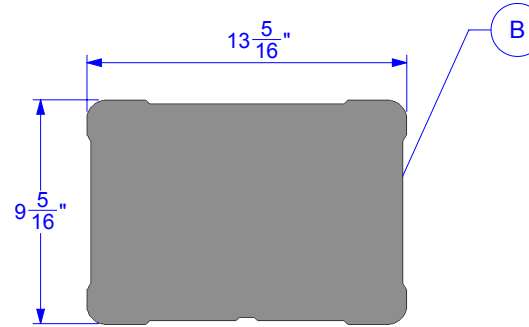
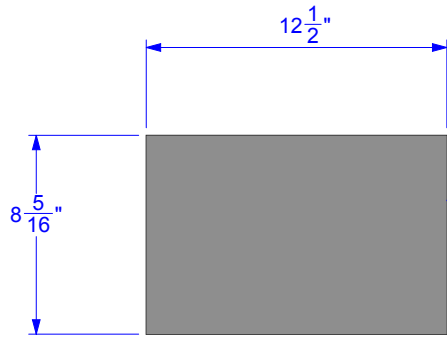
TOLERANCES

CUTOUTS +/- 1/16

OVERALL FOAM THICKNESS & CAVITY DEPTHS +/- 1/8

SIGNATURE

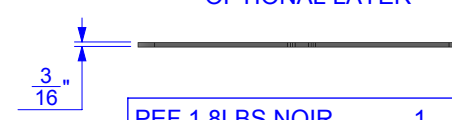
DATE



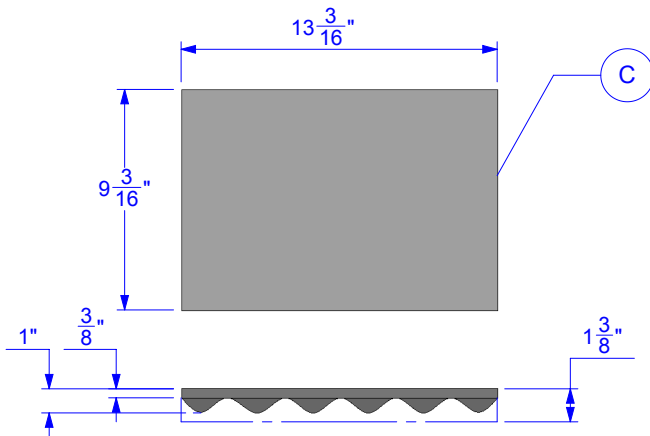
PEF 1.8LBS NOIR MATERIAL 1 QTY



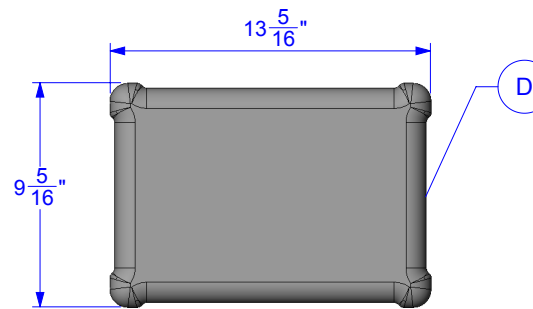
PEF 1.8LBS NOIR MATERIAL 1 QTY



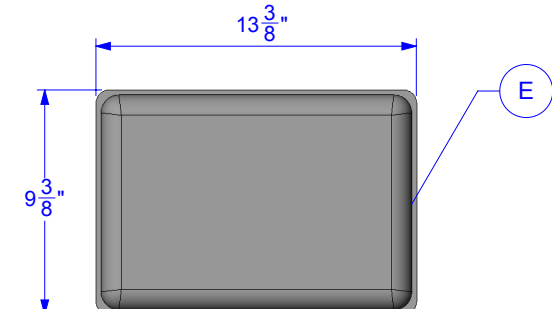
PEF 1.8LBS NOIR MATERIAL 1 QTY



PUF 150-55 1 3/8" THICK 1/2" BASE MATERIAL 1 QTY



PEF 1.8LBS NOIR MATERIAL 1 QTY

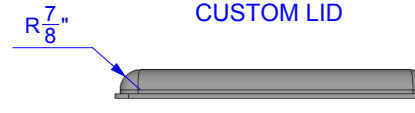


PEF 1.8LBS NOIR MATERIAL 1 QTY

CUSTOM LID



CUSTOM LID



FOAM DENSITY MAY VARY. DIMENSIONS ARE IN INCHES UNLESS OTHERWISE SPECIFIED