



1059, boulevard des Entreprises Ouest
 Terrebonne, QC Canada J6Y 1V2
 Tel 450-628-1006 1.800.783.6883
 Fax 450-628-7801 1.888.783.6883 www.plasticase.com

CUBED FOAM INSERT

PROJECT

601_CLI KCASE

PRODUCT

00601_CLI KCASE

DWG ID

a.00

STATUS

YOUR SIGNATURE IS REQUIRED FOR APPROVAL BEFORE ANY RELEASE OF PRODUCTION DRAWINGS

SIGNATURE

DATE

DESCRIPTION CHANG.

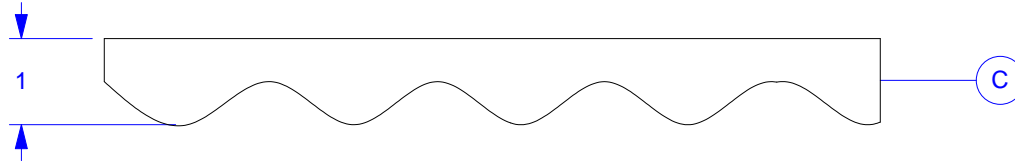
DATE

INIT

-	-	-
-	-	-
-	-	-
-	-	-

ASSEMBLY

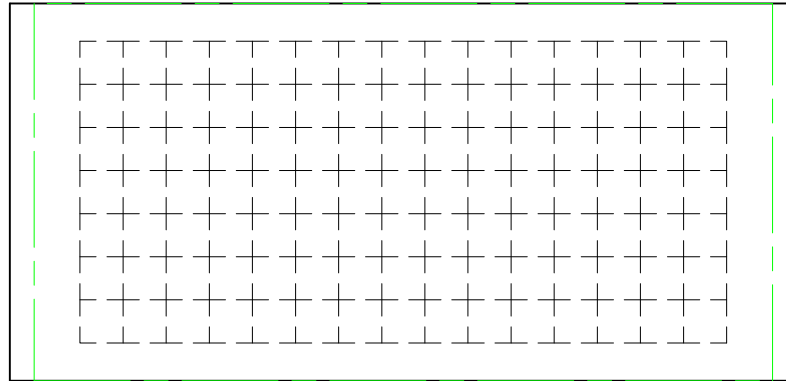
LID EGGSHELL



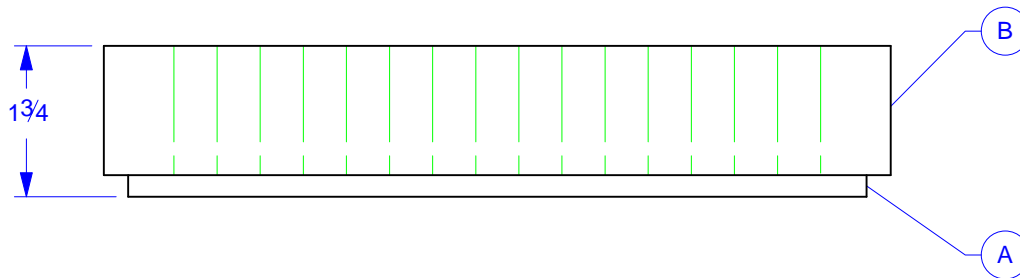
GLUED TOP BASE VELCRO XTRA
SILKSCREEN PRINT PLAIN
QUANTITY : _____
COLOR : _____

TOLERANCES
 CUTOUTS +/- 1/16
 OVERALL FOAM THICKNESS & CAVITY DEPTHS +/- 1/8

BASE TRAY



BASE TRAY - ELEVATION



FOAM DENSITY MAY VARY
 DIMENSIONS ARE IN INCHES UNLESS OTHERWISE SPECIFIED

THE INFORMATION CONTAINED IN THIS DRAWING IS THE SOLE AND EXCLUSIVE PROPERTY OF PLASTICASE INC.
 ANY REPRODUCTION IN PART OR WHOLE WITHOUT THE WRITTEN PERMISSION OF PLASTICASE INC. IS PROHIBITED

TO FIT
 SCALE

AS REQUESTED
 CONCEPT

Frank Vitiello
 REPRESENTATIVE

Vanessa Moscato
 DESIGNER

2011.02.18
 DATE INIT

1/3



1059, boulevard des Entreprises Ouest
 Terrebonne, QC Canada J6Y 1V2
 Tel 450-628-1006 1.800.783.6883
 Fax 450-628-7801 1.888.783.6883 www.plasticase.com

CUBED FOAM INSERT

PROJECT

601_CLI KCASE

PRODUCT

00601_CLI KCASE

DWG ID

a.00

STATUS

YOUR SIGNATURE IS REQUIRED FOR APPROVAL BEFORE ANY RELEASE OF PRODUCTION DRAWINGS

SIGNATURE

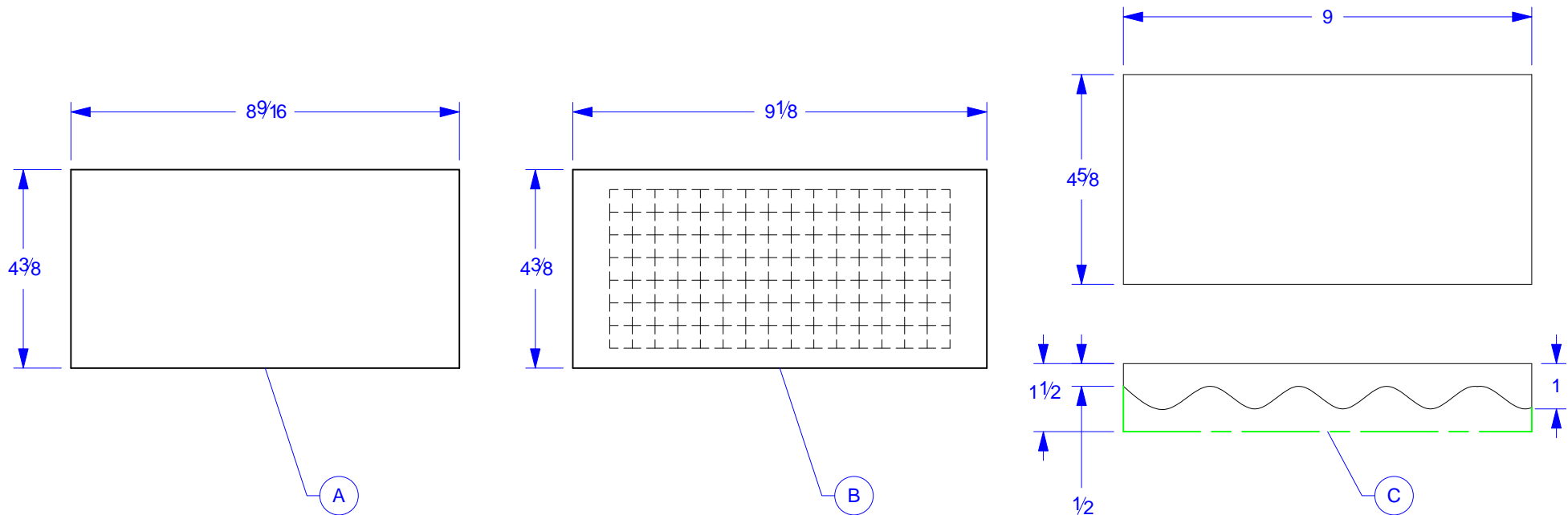
DATE

DESCRIPTION CHANG.

DATE

INIT

LAYOUT



PUF 1.8 BLACK 1/4" THICK		
MATERIAL		
-	-"	1
DETAILS	LINEAR IN	QTY

PUF 1.8 BLACK 1 1/2" THICK		
MATERIAL		
-	114"	1
DETAILS	LINEAR IN	QTY

PUF 1.8 BLACK CV 1 1/2" THICK 1/2" BASE		
MATERIAL		
-	-"	1
DETAILS	LINEAR IN	QTY

FOAM DENSITY MAY VARY
 DIMENSIONS ARE IN INCHES UNLESS OTHERWISE SPECIFIED

THE INFORMATION CONTAINED IN THIS DRAWING IS THE SOLE AND EXCLUSIVE PROPERTY OF PLASTICASE INC.
 ANY REPRODUCTION IN PART OR WHOLE WITHOUT THE WRITTEN PERMISSION OF PLASTICASE INC. IS PROHIBITED

TO FIT
 SCALE

AS REQUESTED
 CONCEPT

Frank Vitiello
 REPRESENTATIVE

Vanessa Moscato
 DESIGNER

2011.02.18
 DATE INIT



1059, boulevard des Entreprises Ouest
 Terrebonne, QC Canada J6Y 1V2
 Tel 450-628-1006 1.800.783.6883
 Fax 450-628-7801 1.888.783.6883 www.plasticase.com

CUBED FOAM INSERT

PROJECT

601_CLI KCASE

PRODUCT

00601_CLI KCASE

DWG ID

a.00

STATUS

YOUR SIGNATURE IS REQUIRED FOR APPROVAL BEFORE ANY RELEASE OF PRODUCTION DRAWINGS

SIGNATURE

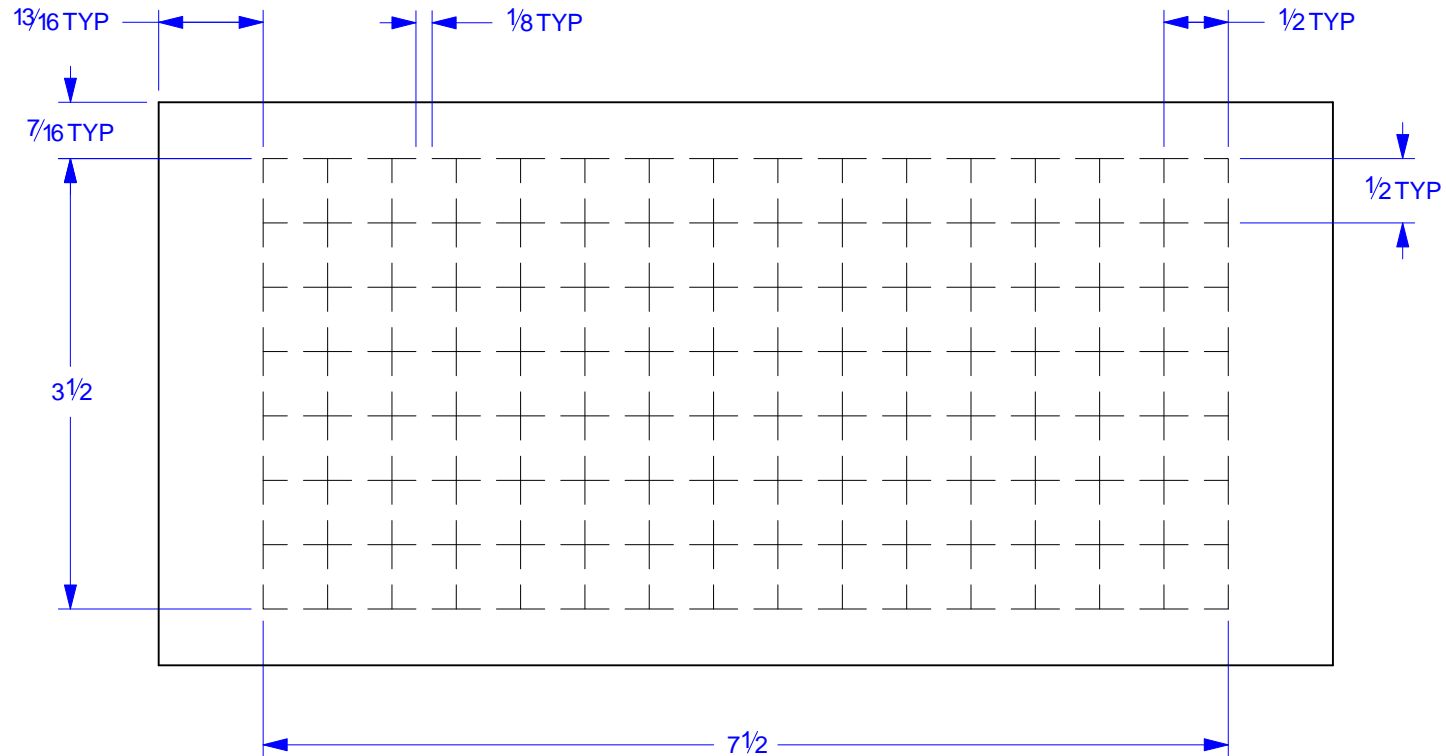
DATE

DESCRIPTION CHANG.

DATE

INIT

DETAILS



FOAM DENSITY MAY VARY
 DIMENSIONS ARE IN INCHES UNLESS OTHERWISE SPECIFIED

THE INFORMATION CONTAINED IN THIS DRAWING IS THE SOLE AND EXCLUSIVE PROPERTY OF PLASTICASE INC.
 ANY REPRODUCTION IN PART OR WHOLE WITHOUT THE WRITTEN PERMISSION OF PLASTICASE INC. IS PROHIBITED

TO FIT
 SCALE

AS REQUESTED
 CONCEPT

Frank Vitiello
 REPRESENTATIVE

Vanessa Moscato
 DESIGNER

2011.02.18
 DATE INIT