

## 629weekendercase

medium duty



### > TECHNICAL SPECIFICATIONS

material :	<b>polypropylene</b>
unit weight (no foam) :	<b>7.13 lbs (3.24 kg)</b>
qty per pack :	<b>1</b>
pack weight (no foam) :	<b>9 lbs (4.1 kg)</b>
airline carry-on :	<b>no</b>
watertight :	<b>no</b>
warranty :	<b>manufacturing defects</b>
wheels :	<b>no</b>

### > CASE DIMENSIONS

interior :	<b>21" x 15" x 7"</b> <b>(533 x 381 x 178 mm)</b>
exterior :	<b>22" x 18.75" x 7.25"</b> <b>(559 x 476 x 184 mm)</b>

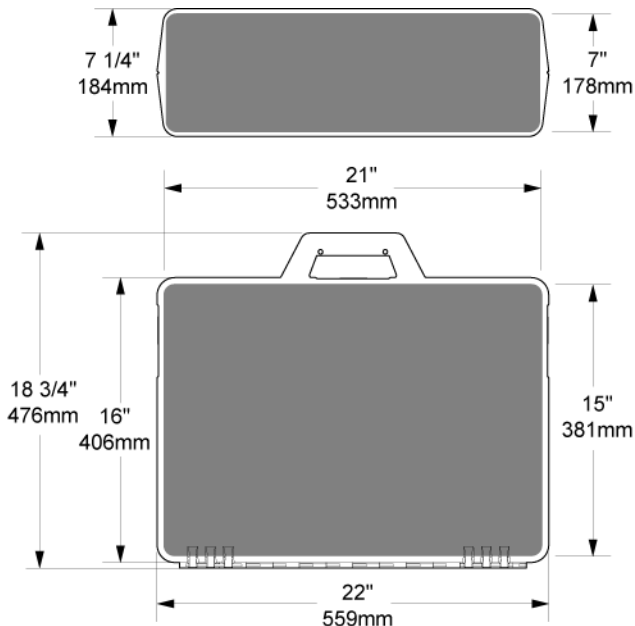
### >> COLORS



black  
001

graphite  
058

### >> CASE DIMENSIONS



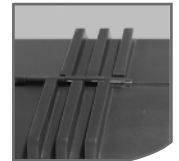
### >> STANDARD FEATURES



> padlockable handle

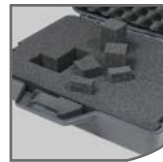


> nylon latches



> strong metal core hinges

### >> AVAILABLE OPTIONS



> pick and pluck foam

Made of 1.8 lbs polyurethane foam, these three-piece sets of customizable foam inserts include a pre-scored 'pick and pluck' layer.



> custom die cut foam

Plasticase can also develop customized die-cut foam inserts as well as offer ready-made customizable inserts for some of our products



> silk screen printing

Our printing department can personalize your cases to bear your image and message.



> bungee cord restraints

Keep your items securely in place with the bungee cord restraints.



> padlock

Protect your equipment with a keyed padlock.