

629weekendercase

medium duty



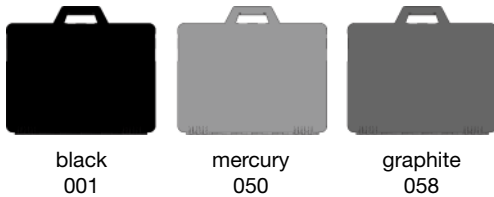
> TECHNICAL SPECIFICATIONS

material :	polypropylene
unit weight (no foam) :	7.13 lbs (3.24 kg)
qty per pack :	1
pack weight (no foam) :	9 lbs (4.1 kg)
airline carry-on :	no
watertight :	no
warranty :	manufacturing defects
wheels :	no

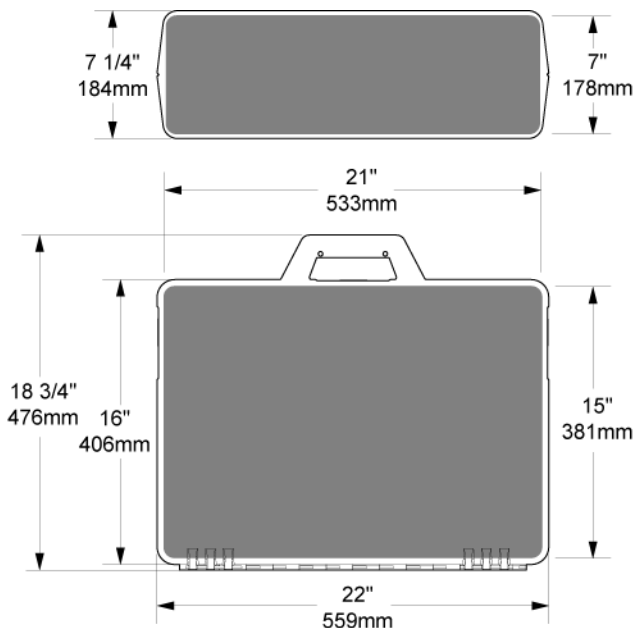
> CASE DIMENSIONS

interior :	21" x 15" x 7" (533 x 381 x 178 mm)
exterior :	22" x 18.75" x 7.25" (559 x 476 x 184 mm)

>> COLORS



>> CASE DIMENSIONS



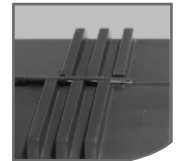
>> STANDARD FEATURES



> padlockable handle

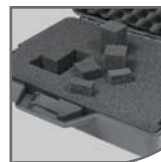


> nylon latches



> strong metal core hinges

>> AVAILABLE OPTIONS



> pick and pluck foam

Made of 1.8 lbs polyurethane foam, these three-piece sets of customizable foam inserts include a pre-scored 'pick and pluck' layer.



> custom die cut foam

Plasticase can also develop customized die-cut foam inserts as well as offer ready-made customizable inserts for some of our products



> silk screen printing

Our printing department can personalize your cases to bear your image and message.



> bungee cord restraints

Keep your items securely in place with the bungee cord restraints.



> padlock

Protect your equipment with a keyed padlock.